

**Parts Catalog for the  
Phoenix 24  
With a 24" Cylindrical Brush Deck  
Walk Behind Scrubber**



## Table of Contents

Cylindrical brush drive head 60cm (97099451-7061-33) .....	4
Chassis, cpl. part 1 (97098867-1) .....	28
Chassis, cpl. part 2 (97098867-7061-33-2 A).....	32
Chassis, cpl. part 2 (97098867-7061-33-2 B).....	36
Chassis, cpl. part 3 (97098867-3) .....	40
Battery tray (99706133BT50) .....	55
Hopper cpl. part1 (97121743-1 7061-33) .....	57
Hopper cpl. part2 (97121743-2) .....	59
Suction (97092811) .....	61
Squeegee operation (Available! No.: 00009000) (00009000) .....	63
Squeegee lock (97096655) .....	65
Squeegee 950mm (97094502) .....	67
Squeegee 950mm, cpl. (Available! No.: 01178270) (01178270) .....	72
Operation handle (97096523) .....	77
Electric part 1 (97099790-1) .....	81
Electrics part 2 (97099790-2) .....	85
Battery charger 24V 22A (97099436) .....	87
Labels (97099881) .....	89

This manual covers all standard models:

**Model No.**

The machine will provide excellent service. However, the best results will be obtained if:

- The machine is operated with reasonable care.
- The machine is maintained regularly per the maintenance schedule in the instruction manual provided.
- The machine is maintained with PowerBoss OEM supplied or equivalent parts.

All right side and left side references to the machine are determined by facing the direction of forward travel. Parts may be ordered by phone or mail from any PowerBoss parts and service center. Before ordering parts or supplies be sure to have your machine model number and serial number handy.

Fill out the data block below for future reference.

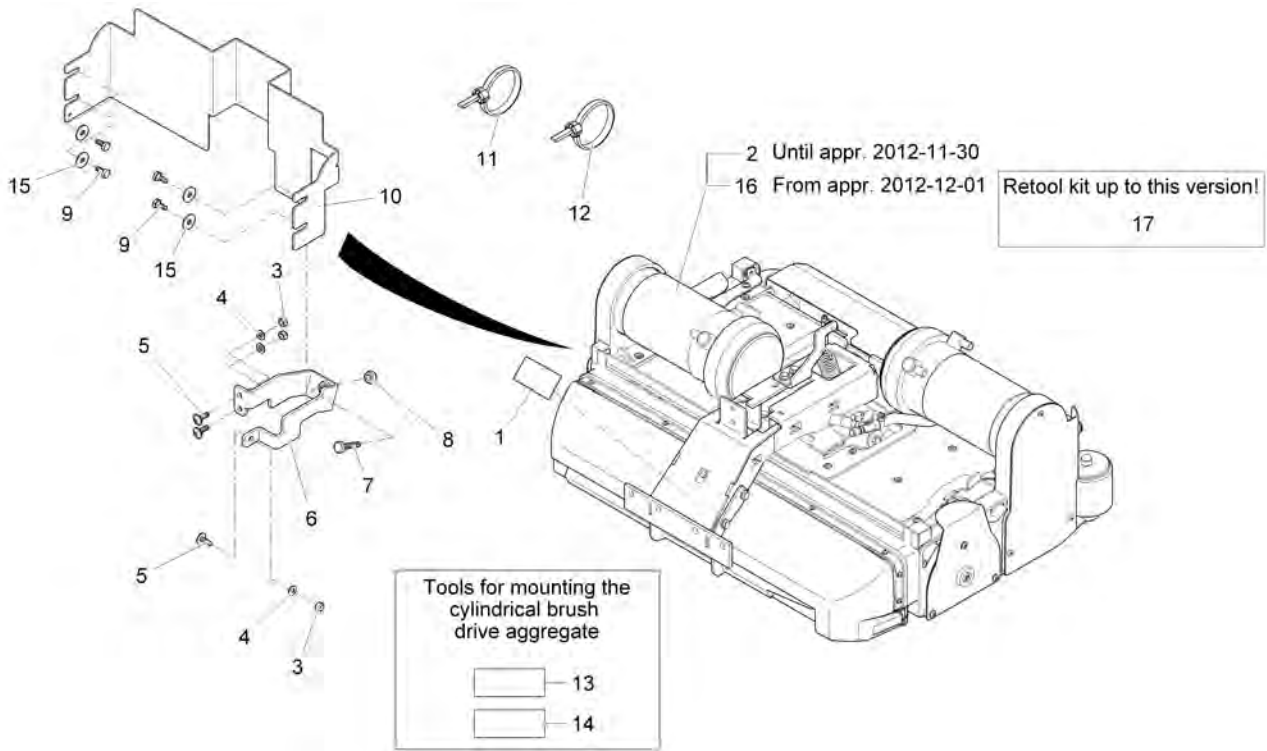
<p>MACHINE DATA Fill Out At Installation</p>
Model:
Serial Number: _____
Sales Rep or Dealer _____
Date of Install: _____
Manual p/n: 988024PB

All information contained in this manual is current at the time of printing However, PowerBoss Reserves the right to make changes at any time without notice.

© 2018, Powerboss, Inc., Printed in USA

All rights reserved. This manual may not be copied or reproduced in any form, without the written permission of PowerBoss, Inc.

**Cylindrical brush drive head 60cm (97099451-7061-33)**



**Cylindrical brush drive head 60cm (97099451-7061-33)**

Item	Spare part number	Description	Qty.	Unit	Remarks
1	03008790	Backing film	1		
2	<b>97099444-7061-31</b>	<b>Cylindrical brush drive head cpl.</b>	<b>Page</b>	<b>6</b>	See Sub Assemblies
3	12040051	Hex. Nut	2		
4	12310041	Washer	3		
5	11177136	Lens flange screw	3		
6	96121793	Retainer	1		
7	11038395	Hexagon screw	1		
8	12040069	Hex. Nut	1		
9	11038197	Hexagon screw	4		
10	01170080	Sheet metal	1		
11	828062	Cable tie	6		
12	361218	Cable tie	4		
13	03006790	Wiring harness to error reset	1		see Circular letter KUD 26 (2006-12-01)
14	01078870	Adjusting kit BRUSHES AGGREGATE	1		see Circular letter KUD 26 (2006-12-01)
15	12332029	Washer	4		
16	<b>97119150</b>	<b>Cylindrical brush drive head cpl.</b>	<b>Page</b>	<b>17</b>	
17	01276800	Roll brush head	1		For older machines: Retool kit up to the new version from 12/2012!

# Old Style Brush Deck Before 2013



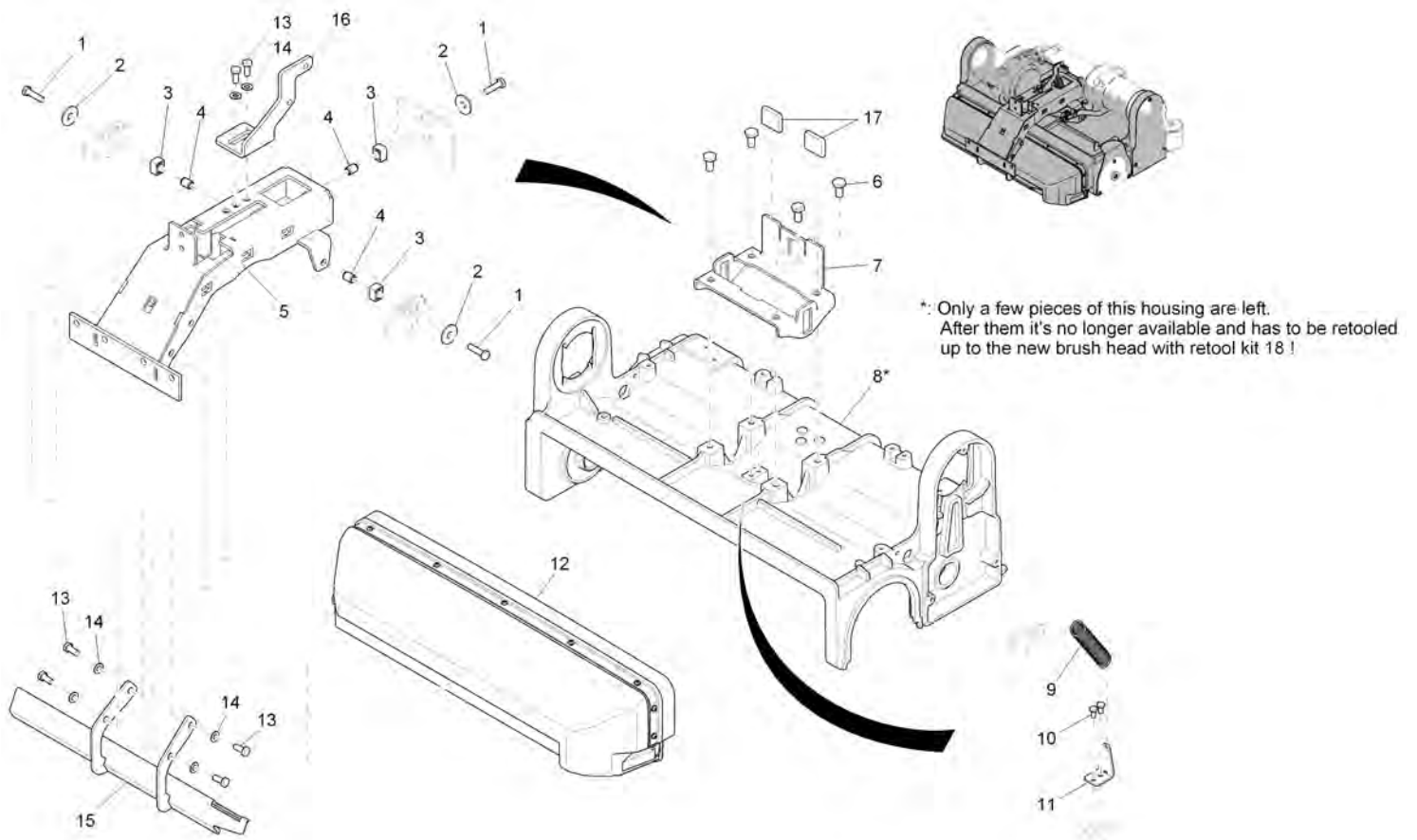
## Cylindrical brush drive head cpl. (97099444-7061-33)

Assembly	Description	Page
97099444-1	Cylindrical brush drive head cpl., part 1	7
97099444-2-7061-33	Cylindrical brush drive head cpl., part 2	11
97099444-3	Cylindrical brush drive head cpl., part 3	15

# Old Style Brush Deck Before 2013



## Cylindrical brush drive head cpl., part 1 (97099444-1)



# Old Style Brush Deck Before 2013



## Cylindrical brush drive head cpl., part 1 (97099444-1)

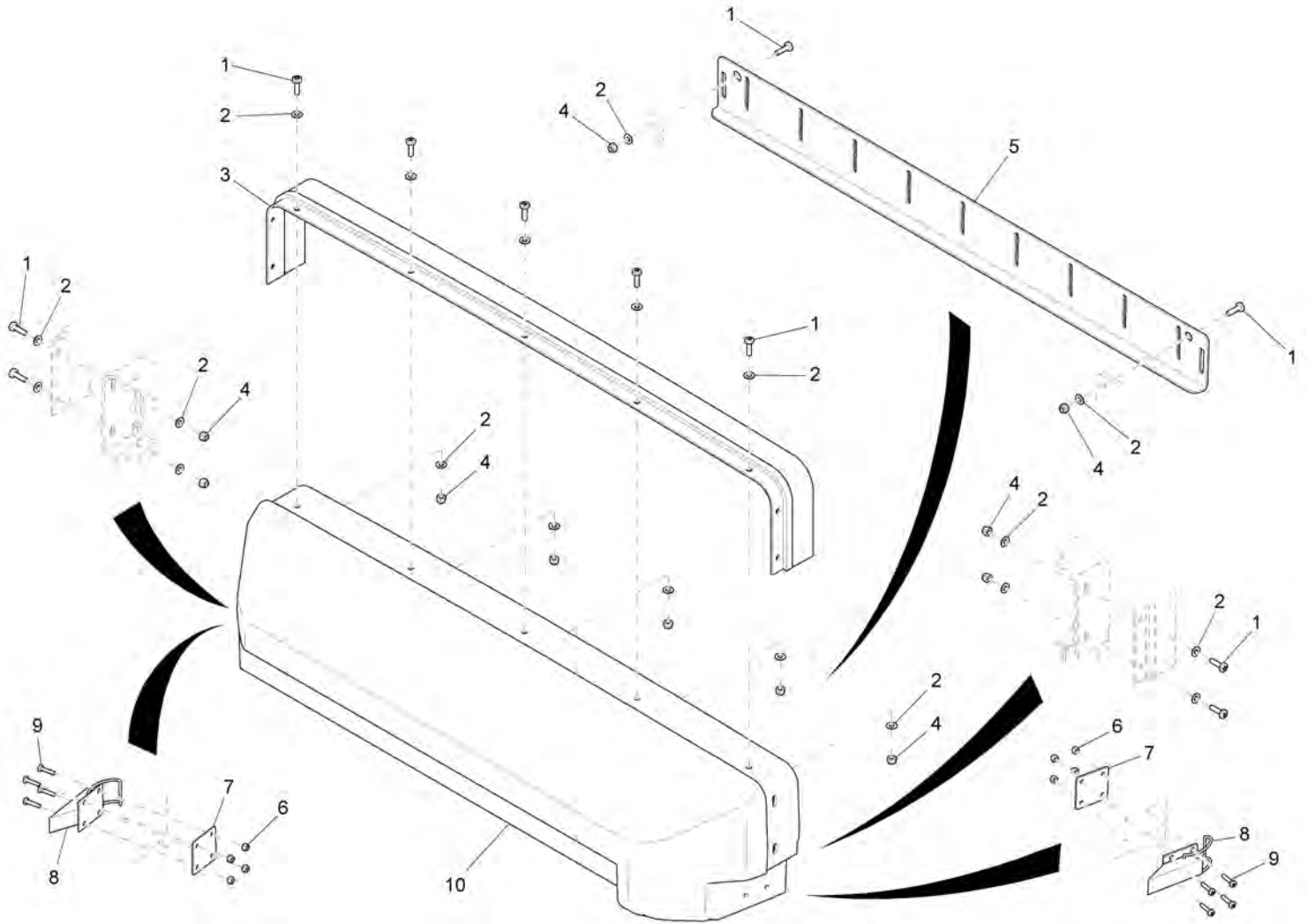
Item	Spare part number	Description	Qty.	Unit	Remarks
1	11038924	Hexagon screw	3		
2	12332152	Washer	3		
3	90492851	Slide block	3		
4	90492869	Bushing	3		
5	96112453	Rocker cylindrical brush	1		
6	11039542	Hexagon screw	4		
7	01170090	Retainer	1		
8	90475740	Housing	1		Only a few pieces of this housing are left. After them it's no longer available and has to be retooled up to the new brush head with retool kit (18)
9	90441577	Tension spring	1		
10	11038742	Hexagon screw	2		
11	90519091	Angle	1		
12	<b>97087191</b>	<b>Not sold as an assembly</b>	<b>Page</b>	<b>9</b>	Order components on page 9
13	11038635	Hex.bolt	6		
14	12310041	Washer	6		
15	01078750	Guide bar	1		
16	01170100	Spring holder	1		
17	90463746	Cap	2		
18	01276800	Roll brush head	1		



# Old Style Brush Deck Before 2013



Dirt hopper cpl. (97087191)



# Old Style Brush Deck Before 2013



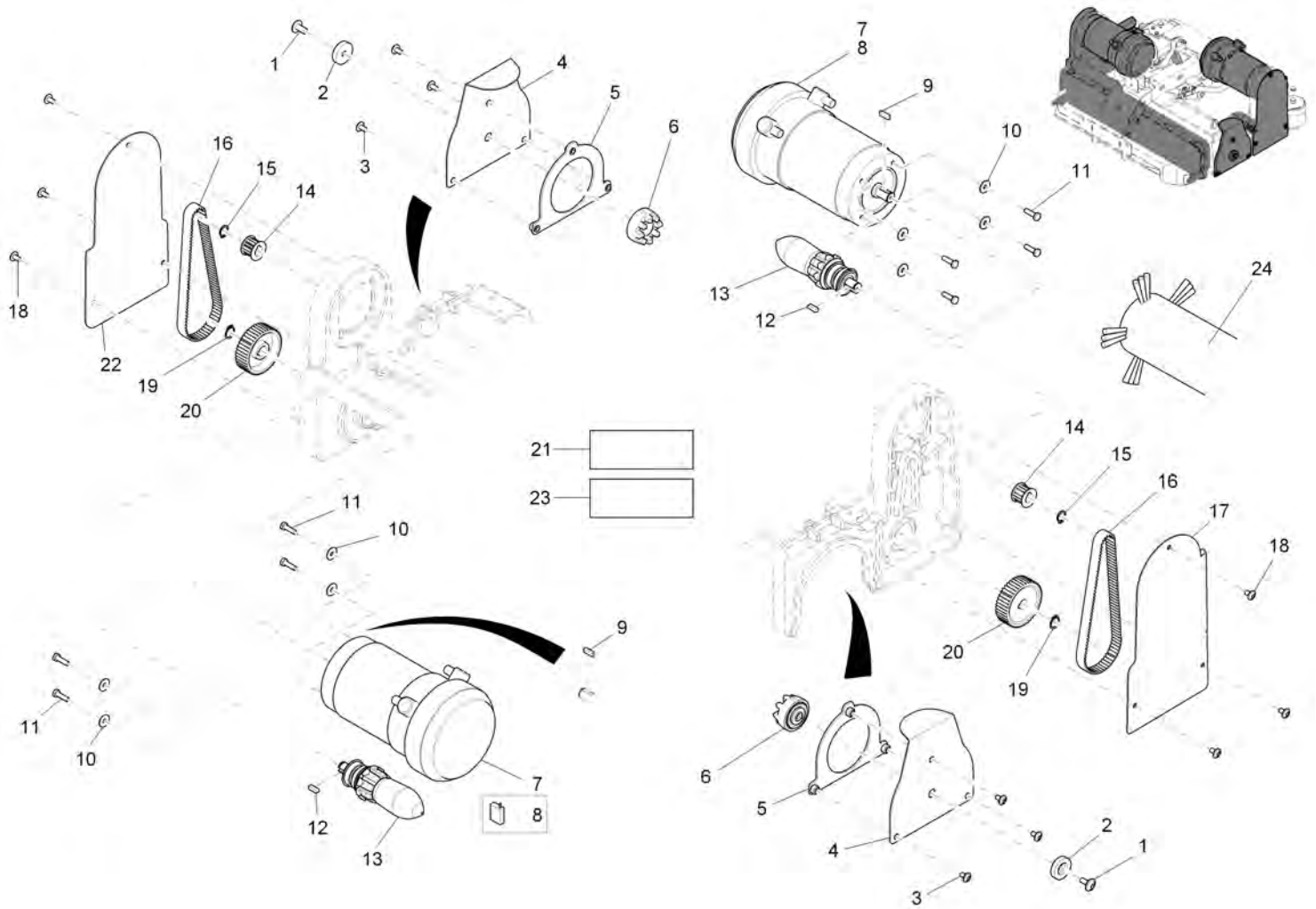
## Dirt hopper cpl. (97087191)

Item	Spare part number	Description	Qty.	Unit	Remarks
1	01072260	Fillister-head screw	11		
2	12310272	Washer	20		
3	90472374	Broom rail	1		
4	12040234	Hex. Nut	11		
5	90472366	Sheet metal apron	1		
6	12040374	Hex. Nut	8		
7	90435884	Plate	2		
8	17383191	Lock	2		
9	11175452	Fillister-head screw	8		
10	96105275	Dirt container	1		

# Old Style Brush Deck Before 2013



## Cylindrical brush drive head cpl., part 2 (97099444-2-7061-33)



# Old Style Brush Deck Before 2013



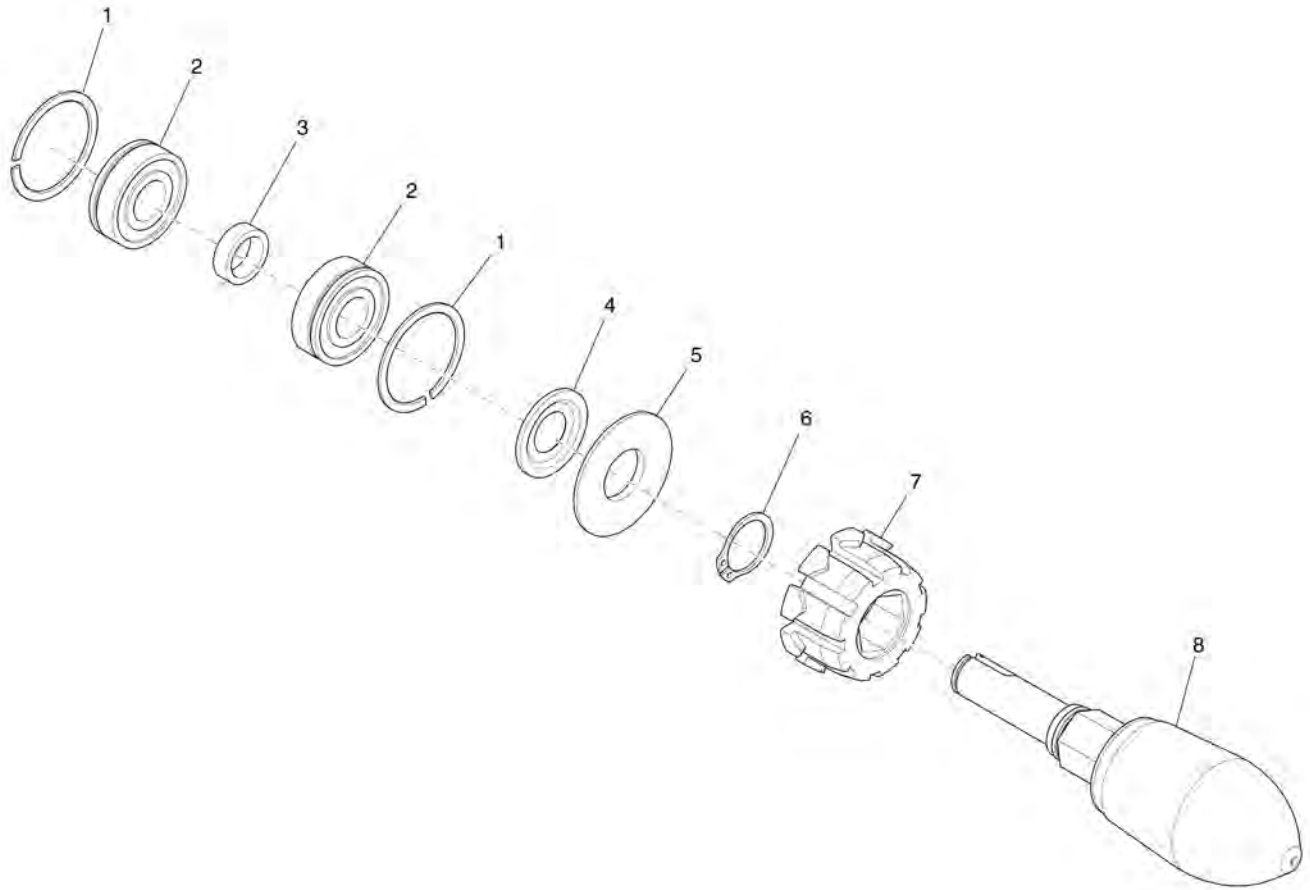
## Cylindrical brush drive head cpl., part 2 (97099444-2-7061-33)

Item	Spare part number	Description	Qty.	Unit	Remarks
1	11177187	Lens flange screw	2		
2	90464058	Washer	2		
3	11177179	Lens flange screw	6		
4	90454117	Side cover	2		
5	96098264	Centering bend	2		
6	96101985	Bearing	2		
7	90472390	Motor	2		
8	00553060	Set (4pc.) carbon brush	4		
9	00022430	Feather key	2		
10	12332011	Washer	8		
11	11038098	Hexagon screw	8		
12	13540549	Feather key	2		
13	<b>01072560</b>	<b>Carrier, cpl.</b>	<b>Page</b>	<b>13</b>	
14	90409210	Toothed belt pulley	2		
15	12610234	Retaining ring	2		
16	16423055	Toothed belt	2		
17	90532888	Sheet metal R.H.	1		
18	11177179	Lens flange screw	6		
19	12610069	Retaining ring	2		
20	90409244	Toothed belt pulley	2		
21	03007980	Wiring harness W13	1		
22	90463340	Sheet metal L.H.	1		
23	03007990	Wiring harness W14	1		
24	7021	Brush set cyl. (standard brushes)	1		See price list for additional options

# Old Style Brush Deck Before 2013



Carrier, cpl. (01072560)



# Old Style Brush Deck Before 2013



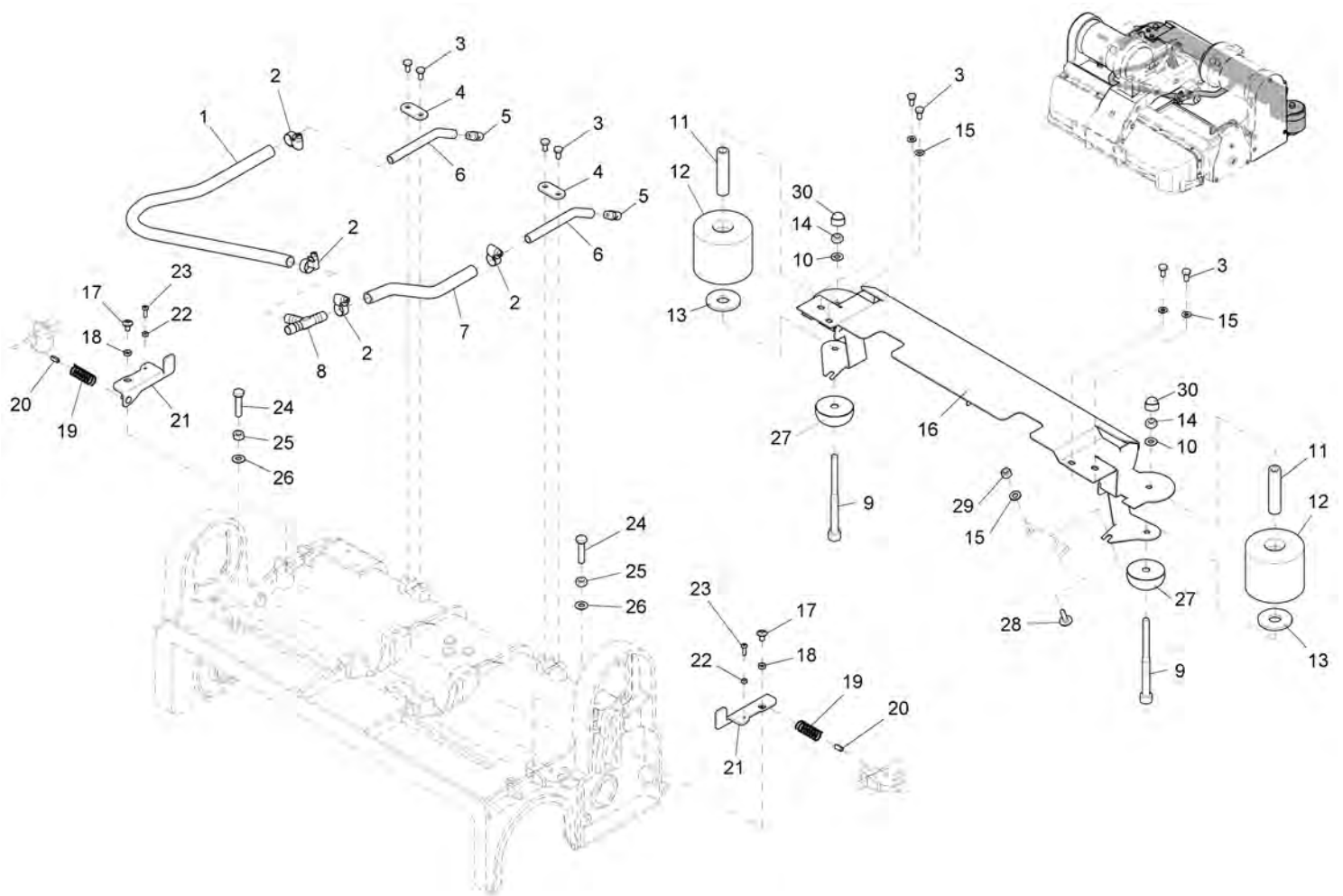
## Carrier, cpl. (01072560)

Item	Spare part number	Description	Qty.	Unit	Remarks
1	01078820	Circlip	2		
2	14110853	Grooved ball bearing	2		
3	90409665	Bushing	1		
4	14678064	Ring	1		
5	01077550	Bushing	1		
6	12610093	Retaining ring	1		
7	90423666	Bushing	1		
8	90416777	Retainer	1		

# Old Style Brush Deck Before 2013



## Cylindrical brush drive head cpl., part 3 (97099444-3)



# Old Style Brush Deck Before 2013



## Cylindrical brush drive head cpl., part 3 (97099444-3)

Item	Spare part number	Description	Qty.	Unit	Remarks
1	25842097	Hose - sold by the meter	520mm		
2	1753310	Hose clamp	4		
3	11038742	Hexagon screw	8		
4	90430885	Clamping sheet metal	2		
5	90429952	Jet - Black	2		Modified 90311663-1 White
6	90440884	Pipe	2		
7	25842097	Hose - Sold by the meter	240mm		
8	90310681	T-piece	1		
9	11126505	Socket head screw	2		
10	12310041	Washer	4		
11	90519828	Pipe	2		
12	90315334	Roller	2		
13	00132610	Washer	2		
14	12040051	Hex. Nut	2		
15	12310256	Washer	6		
16	01078810	Cross beam	1		
17	11177179	Lens flange screw	2		
18	90437450	Bushing	2		
19	13050299	Cyl.compression spring	2		
20	13050299	Dowel pin	2		
21	96098611	Lever, cpl.	2		
22	12022570	Hex. Nut	2		
23	01072260	Fillister-head screw	2		
24	11039500	Hex.bolt	2		
25	00971400	Hex. Nut	2		
26	730609	Washer	2		
27	90533696	Stop	2		
28	01015340	Lens flange screw	2		
29	12040044	Hex. Nut	2		
30	15592033	Lens cap	2		



# New Style Brush Deck After 2012



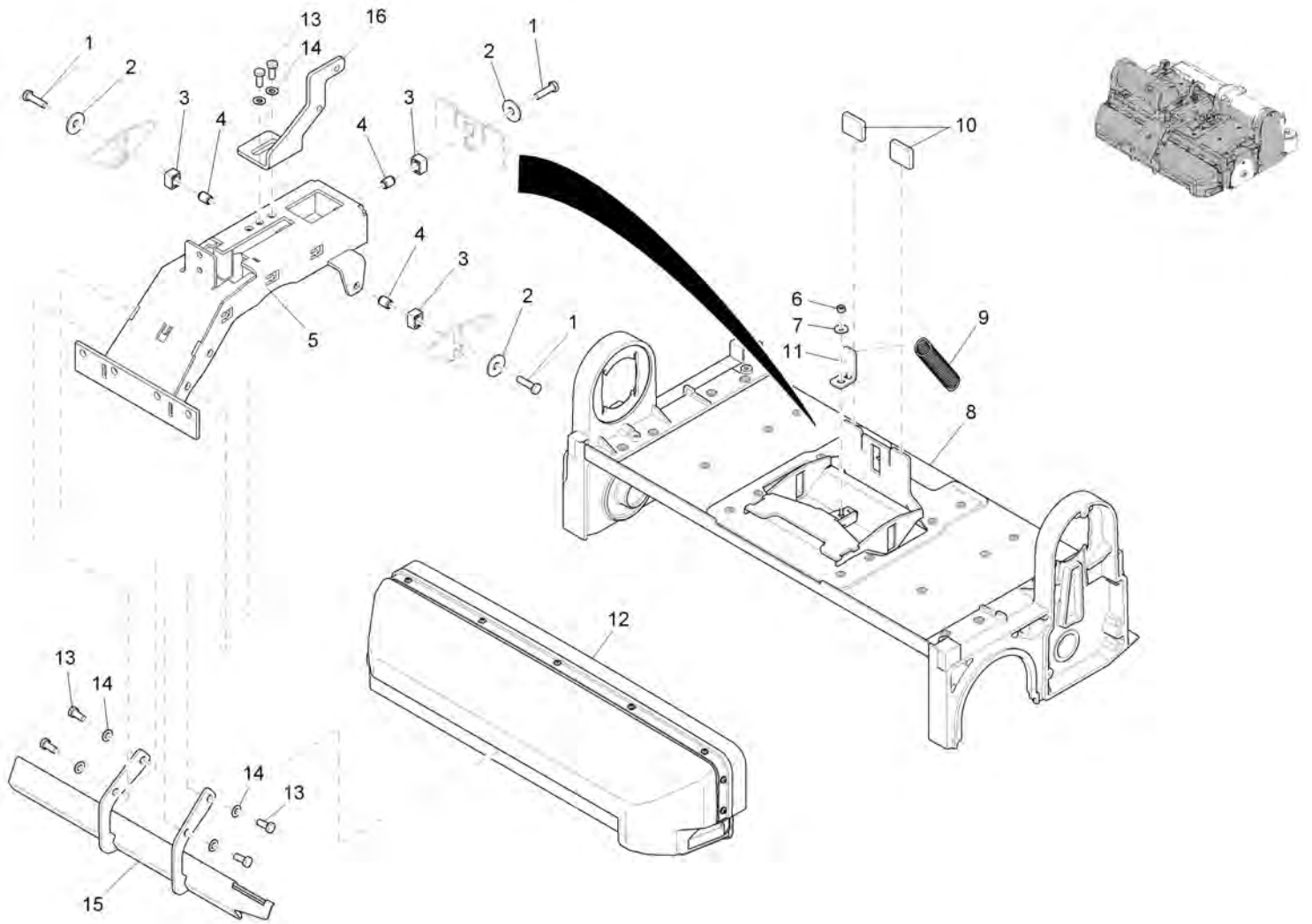
## Cylindrical brush drive head cpl. (97119150) 2012-12-01 -->

Assembly	Description	Page
97119150-1	Cylindrical brush drive head cpl., part 1 - not sold as an assembly	18
97119150-2	Cylindrical brush drive head cpl., part 2 - not sold as an assembly	22
97119150-3	Cylindrical brush drive head cpl., part 3 - not sold as an assembly	26

# New Style Brush Deck After 2012



## Cylindrical brush drive head cpl., part 1 (97119150-1)



# New Style Brush Deck After 2012



## Cylindrical brush drive head cpl., part 1 (97119150-1)

Item	Spare part number	Description	Qty.	Unit	Remarks
1	11038924	Hexagon screw	3		
2	12332152	Washer	3		
3	90492851	Slide block	3		
4	90492869	Bushing	3		
5	96136155	Rocker	1		
6	12040242	Hex. Nut	1		
7	12332094	Washer	1		
8	96136197	Roll brush head 600	1		
9	90441577	Tension spring	1		
10	90463746	Cap	2		
11	---	Spare part on request	1		90610775 Angle
12	<b>97087191</b>	<b>Dirt hopper - Not sold as an assembly</b>	<b>Page</b>	<b>20</b>	
13	11038635	Hex.bolt	6		
14	12310041	Washer	6		
15	96112297	Guide bar	1		
16	01170100	Spring holder	1		



# New Style Brush Deck After 2012



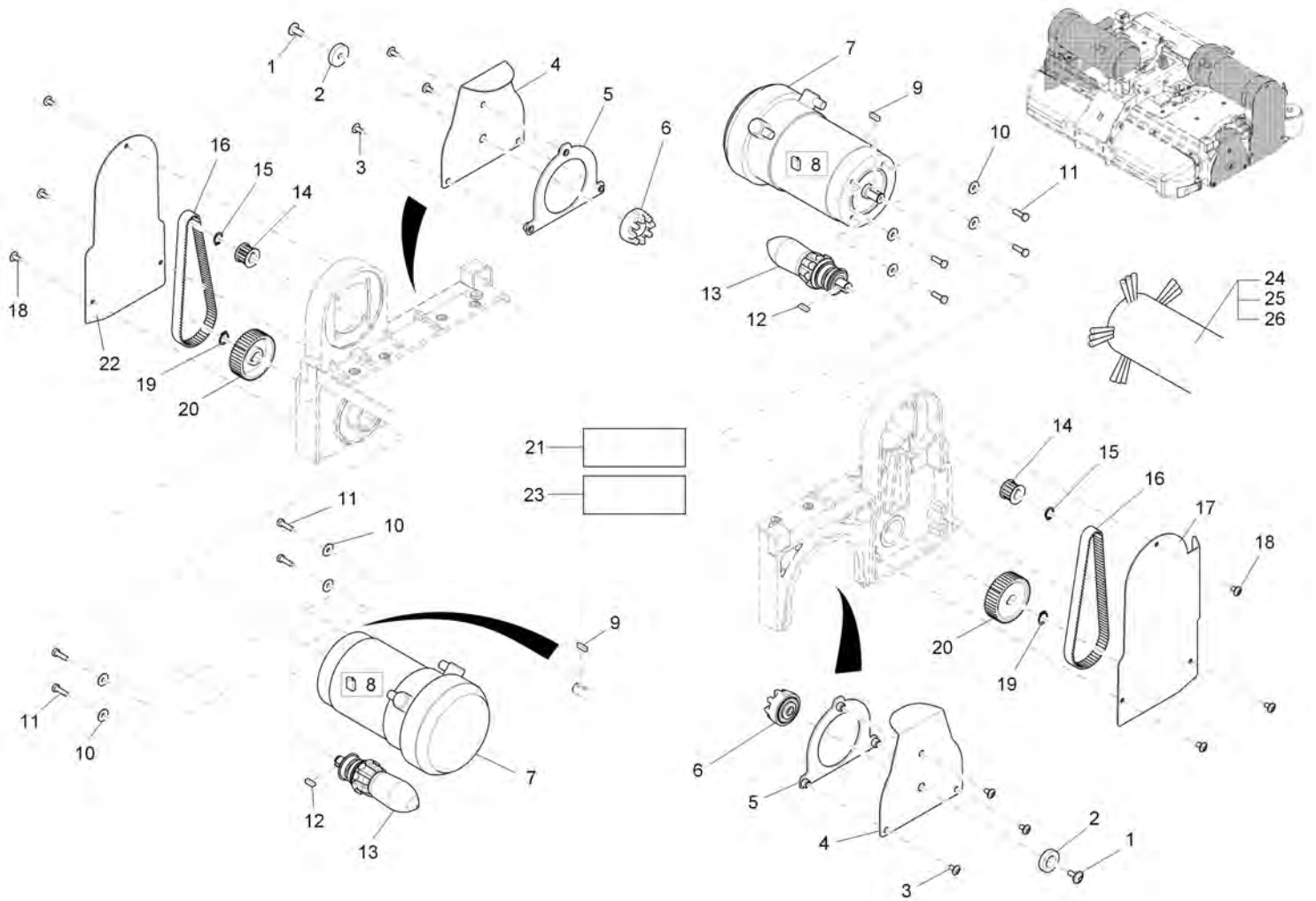
## Dirt hopper cpl. (97087191)

Item	Spare part number	Description	Qty.	Unit	Remarks
1	01072260	Fillister-head screw	11		
2	12310272	Washer	20		
3	90472374	Broom rail	1		
4	12040234	Hex. Nut	11		
5	90472366	Sheet metal apron	1		
6	12040374	Hex. Nut	8		
7	90435884	Plate	2		
8	17383191	Lock	2		
9	11175452	Fillister-head screw	8		
10	96105275	Dirt container	1		

# New Style Brush Deck After 2012



## Cylindrical brush drive head cpl., part 2 (97119150-2)



# New Style Brush Deck After 2012



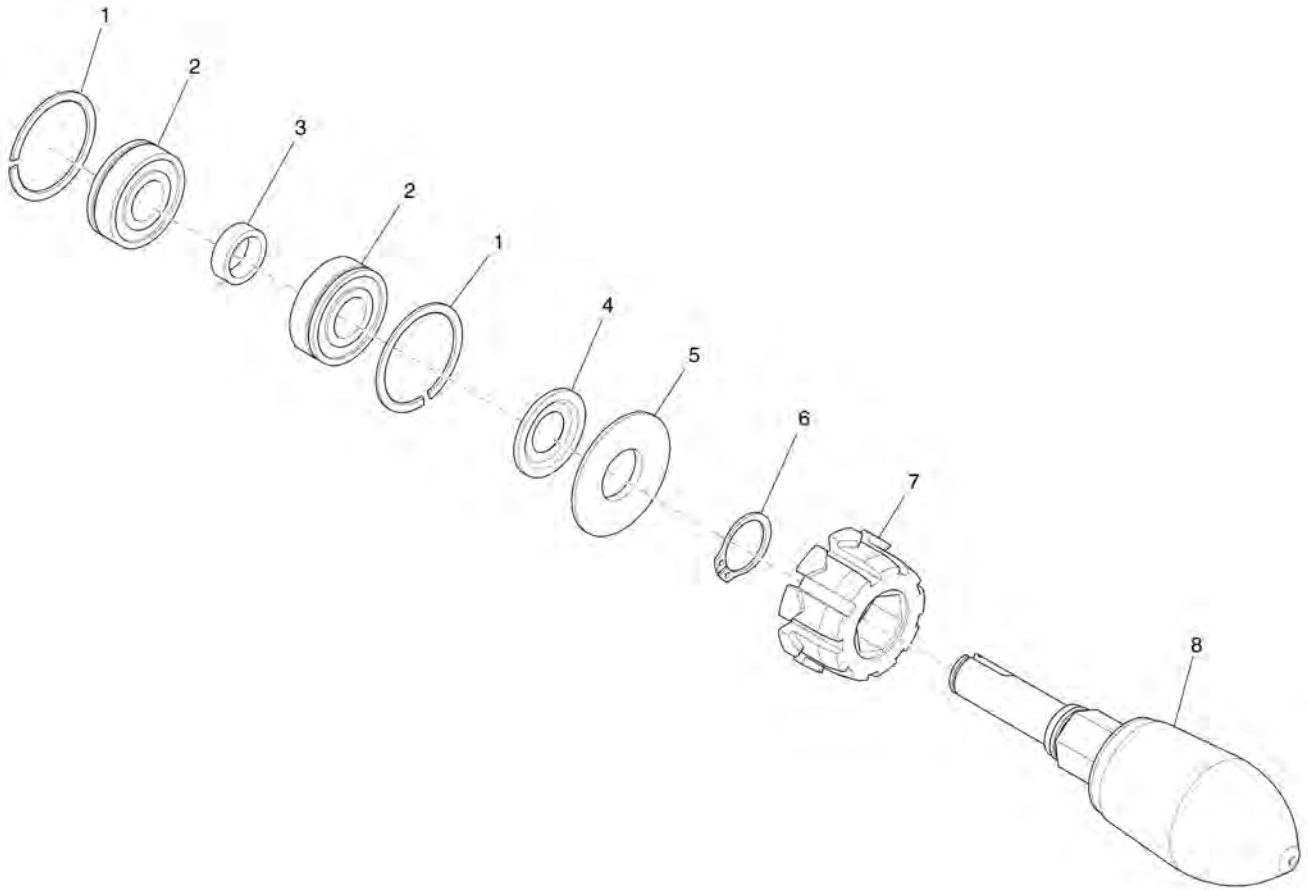
## Cylindrical brush drive head cpl., part 2 (97119150-2)

Item	Spare part number	Description	Qty.	Unit	Remarks
1	11177187	Lens flange screw	2		
2	90464058	Washer	2		
3	11177179	Lens flange screw	6		
4	90454117	Side cover	2		
5	96098264	Centering bend	2		
6	96101985	Bearing	2		
7	90472390	Motor	2		
8	00553060	Set (4pc.) carbon brush	4		
9	00022430	Feather key	2		
10	00135120	Washer	8		
11	00053020	Hexagon screw	8		
12	01072580	Feather key	2		
13	<b>01072560</b>	<b>Carrier, cpl.</b>	<b>Page</b>	<b>24</b>	
14	90409210	Toothed belt pulley	2		
15	12610234	Retaining ring	2		
16	16423055	Toothed belt	2		
17	---	Spare part on request	1		90610825 Sheet metal
18	11177179	Lens flange screw	6		
19	12610069	Retaining ring	2		
20	90409244	Toothed belt pulley	2		
21	03007980	Wiring harness W13	1		
22	01272860	Sheet metal	1		
23	03007990	Wiring harness W14	1		
24	7021	Set cyl. brushes 150 PA 0,7	1		Degree of soiling light to medium, PA 6 - 0,7
25	7022	Set cyl brush	1		Degree of soiling medium to heavy, structured flooring, SIC PA 6. 12, Kom 500
26	7023	Set of cylindrical brushes 150 Sic PA 6.	1		Very heavy soiling and basic cleaning, SIC PA 6. 12, Kom 180

# New Style Brush Deck After 2012



Carrier, cpl. (01072560)





# New Style Brush Deck After 2012



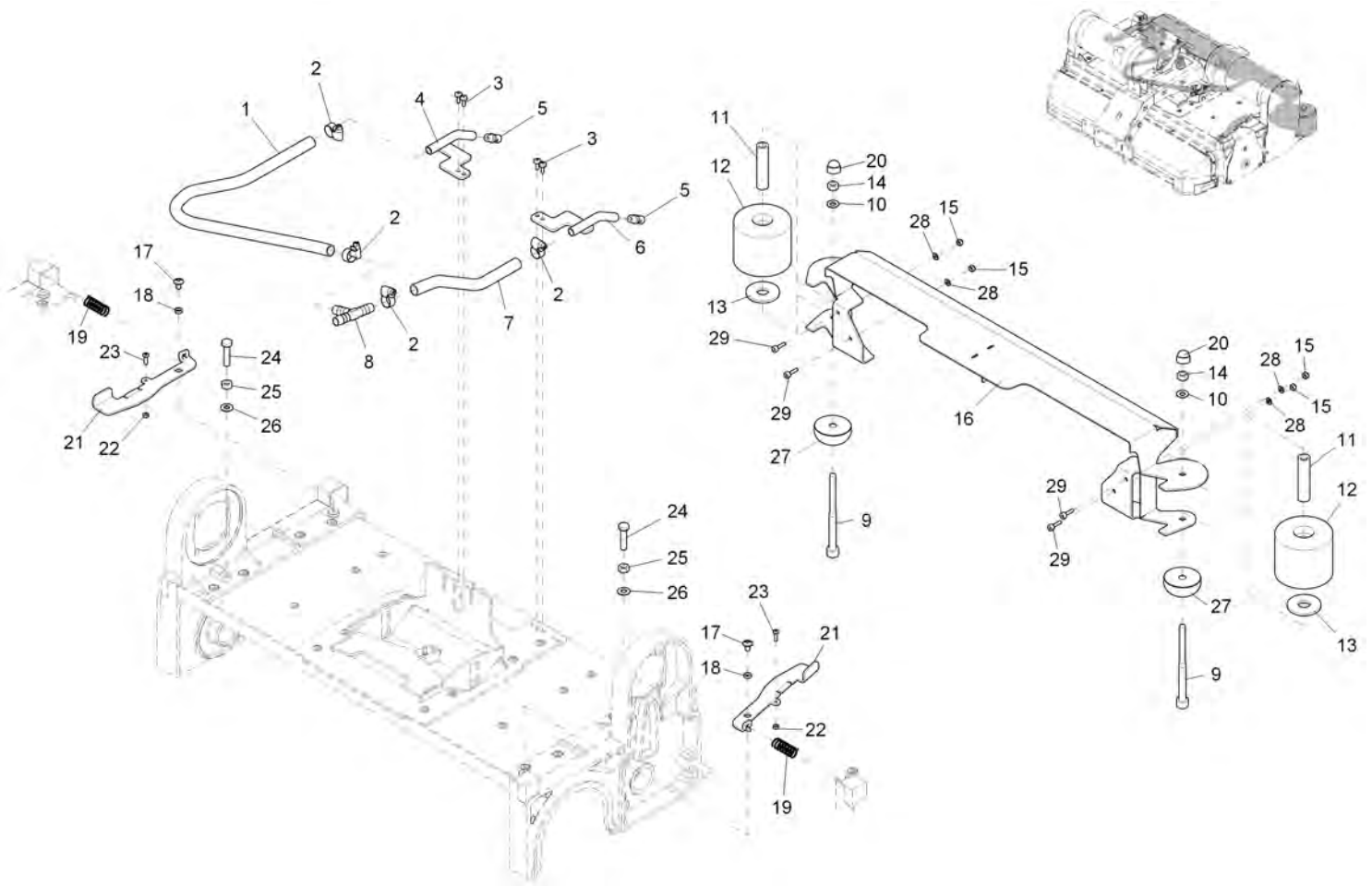
## Carrier, cpl. (01072560)

Item	Spare part number	Description	Qty.	Unit	Remarks
1	01078820	Circlip	2		
2	14110853	Grooved ball bearing	2		
3	90409665	Bushing	1		
4	14678064	Ring	1		
5	01077550	Bushing	1		
6	12610093	Retaining ring	1		
7	90423666	Bushing	1		
8	90416777	Retainer	1		

# New Style Brush Deck After 2012



## Cylindrical brush drive head cpl., part 3 (97119150-3)



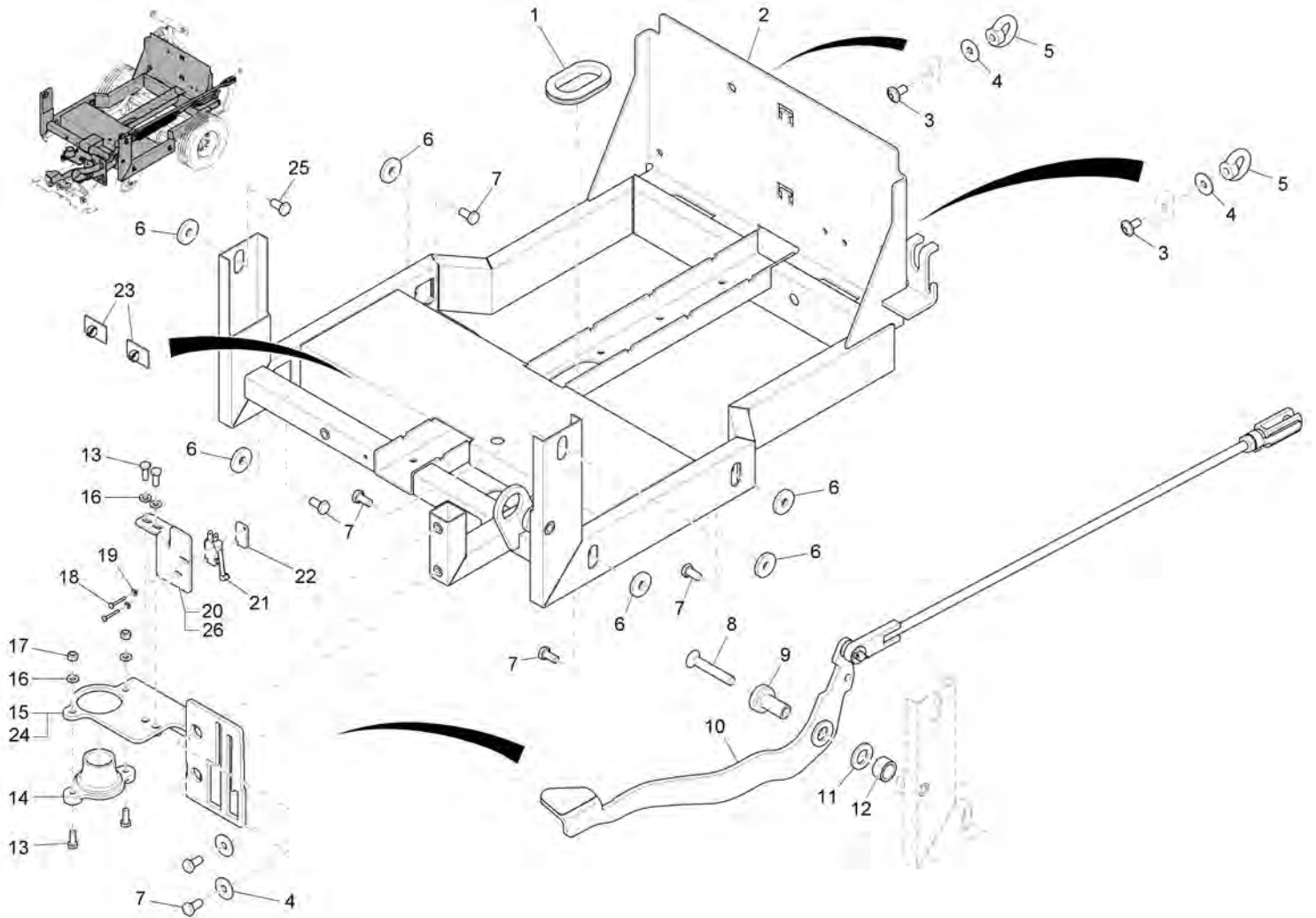
# New Style Brush Deck After 2012



## Cylindrical brush drive head cpl., part 3 (97119150-3)

Item	Spare part number	Description	Qty.	Unit	Remarks
1	25842097	Hose	0,570		
2	17533100	Hose clamp	4		
3	00959220	Screw	4		
4	01273120	Pipe L.H.	1		
5	90429952	Jet	2		
6	01273130	Pipe R.H.	1		
7	25842097	Hose	0,240		
8	90310681	T-piece	1		
9	11126505	Socket head screw	2		
10	12310041	Washer	4		
11	90519828	Pipe	2		
12	90315334	Roller	2		
13	00132610	Washer	2		
14	12040051	Hex. Nut	2		
15	12040283	Hex. Nut	4		
16	---	Spare part on request	1		96136205 Angle
17	11177179	Lens flange screw	2		
18	90437450	Bushing	2		
19	90232372	Cyl.compression spring	2		
20	15592033	Lens cap	2		
21	01272890	Lever	2		
22	12022430	Hex. Nut	2		
23	00552300	Fillister-head screw	2		
24	11038072	Hex.bolt	2		
25	00135790	Hex. Nut	2		
26	12310082	Washer	2		
27	90533696	Stop	2		
28	00902270	Washer	4		
29	01081260	Socket head screw	4		

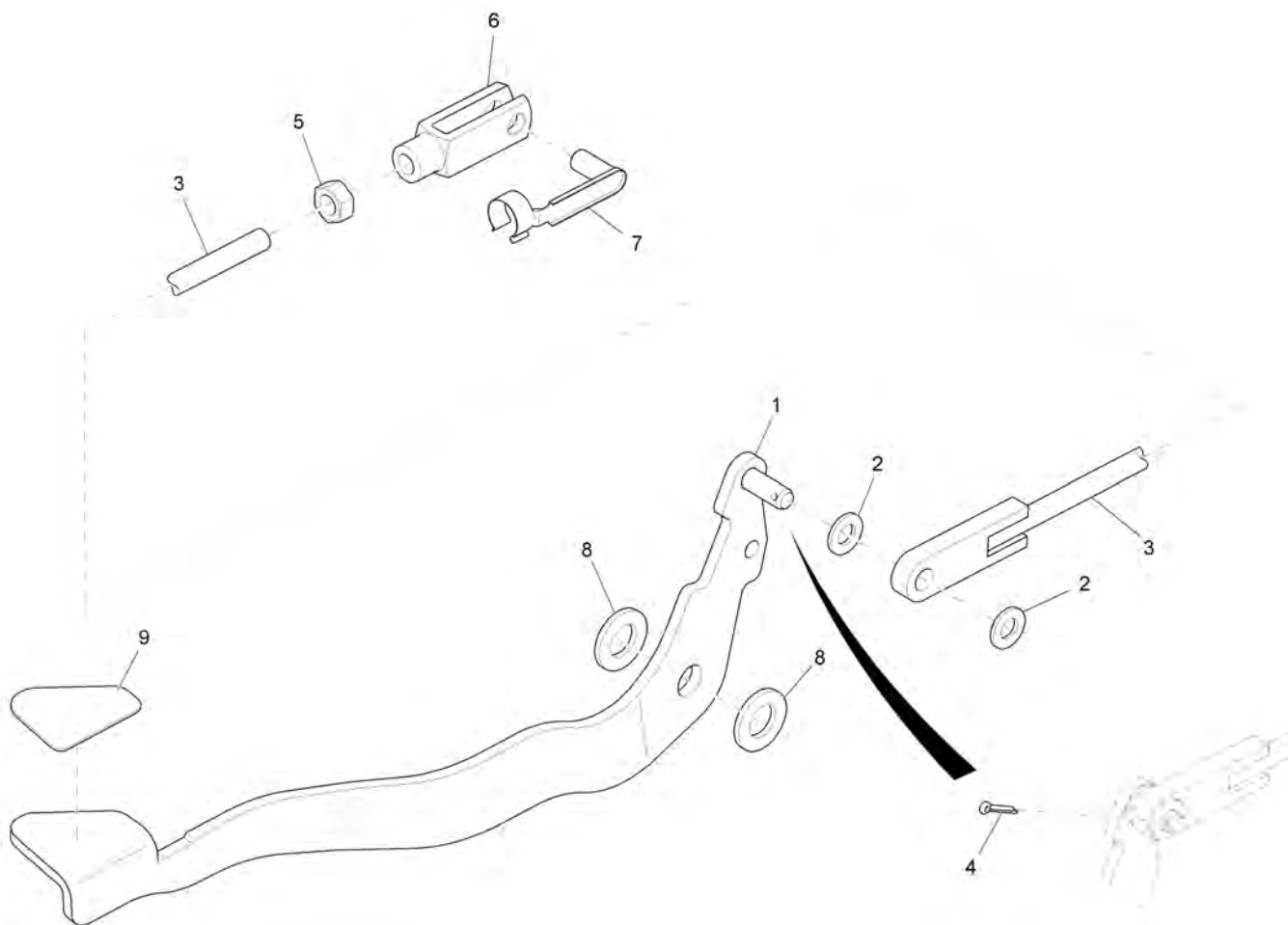
Chassis, cpl. part 1 (97098867-1)



**Chassis, cpl. part 1 (97098867-1)**

Item	Spare part number	Description	Qty.	Unit	Remarks
1	90513367	Grommet	1		
2	96116405	Chassis	1		
3	11177187	Lens flange screw	2		
4	12332029	Washer	4		
5	12160024	Nut	2		
6	90209537	Washer	6		
7	11038197	Hexagon screw	8		
8	11225620	Countersunk screw	1		
9	90509522	Bushing	1		
10	<b>97093181</b>	<b>Lifting pedal</b>	<b>Page</b>	<b>30</b>	
11	12310082	Washer	1		
12	90509027	Pipe	1		
13	11038072	Hex.bolt	6		
14	90508391	Bushing	1		
15	96117387	Sheet metal	1		until ca. June 2007
16	12310033	Washer	4		
17	12040044	Hex. Nut	2		
18	11039088	Hex.bolt	2		
19	12310132	Washer	2		
20	01078470	Retainer	1		until ca. June 2007
21	90636234	Micro switch	1		
22	90471483	Thread base plate	1		
23	17526070	Cable clip	2		
24	96117387	Sheet metal	1		from ca. July 2007
25	11038635	Hex.bolt	1		
26	90540931	Retainer	1		from ca. July 2007

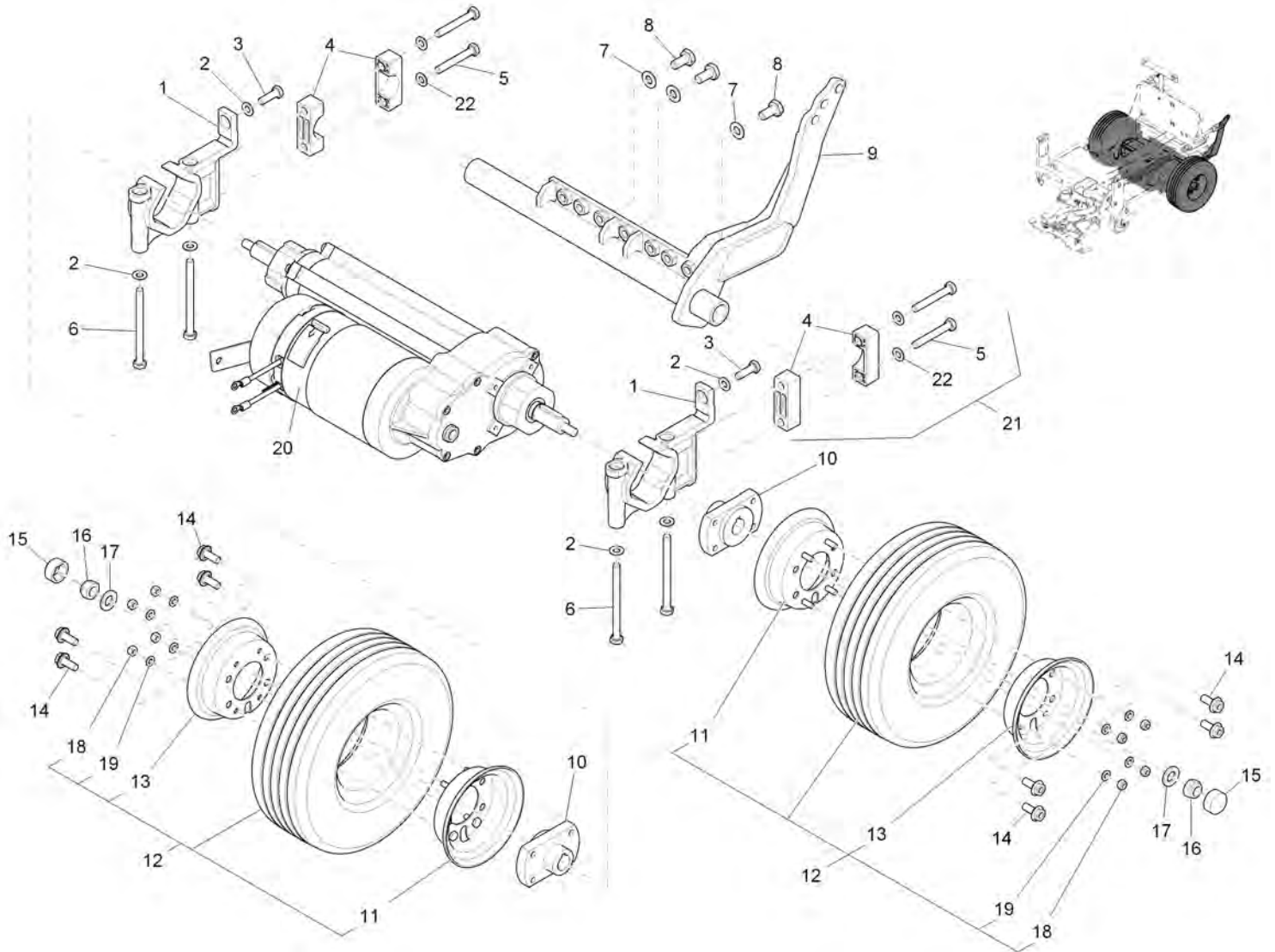
Lifting pedal (97093181)



**Lifting pedal (97093181)**

Item	Spare part number	Description	Qty.	Unit	Remarks
1	96117361	Lifting pedal	1		
2	12310058	Washer	2		
3	96111877	Rod	1		
4	13280110	Cotter pin	1		
5	12022067	Hex. Nut	1		
6	16055063	Fork yoke	1		
7	13390042	Bolt	1		
8	90510017	Washer	2		
9	90518580	Decal	1		

Chassis, cpl. part 2 (97098867-7061-33-2 A) 1900-01-01 --> 2008-11-30

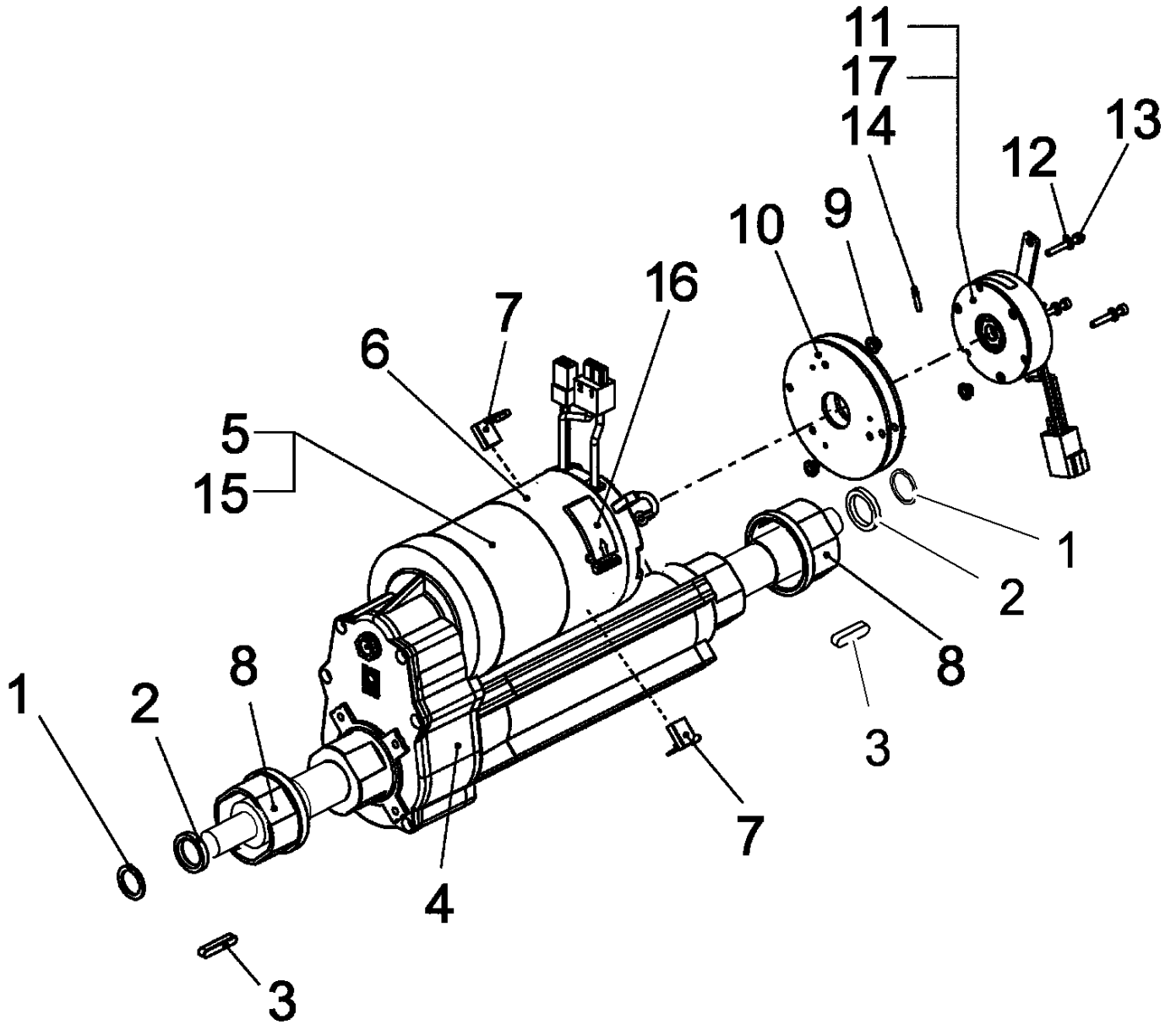




Chassis, cpl. part 2 (97098867-7061-33-2 A) 1900-01-01 --> 2008-11-30

Item	Spare part number	Description	Qty.	Unit	Remarks
1	90512062	Bearing AMER	2		
2	12310041	Washer	10		
3	11038247	Hexagon screw	1		
4	90547811	Block	4		from appr. march 2008; if you want to exchange older blocks, please order Pos. 21!
5	11038296	Hex.bolt	4		
6	11032273	Hex.bolt	4		
7	12310058	Washer	3		
8	11038346	Hexagon screw	3		
9	96119003	Lever	1		
10	01078010	Hub	2		
11	96057013	Rim half	2		
12	90398165	Wheel - black pneumatic	2		
13	90251869	Rim	2		
14	11717022	Hex.bolt	8		
15	15592058	protection cap	2		
16	12040077	Hex. Nut	2		
17	12310066	Washer	2		
18	12040044	Hex. Nut	8		
19	12310033	Washer	8		
20	<b>90531609</b>	<b>Traction drive</b>	<b>Page</b>	<b>34</b>	
21	00008980	Block	1		incl. Pos.4,5,22: please order kit because it's necessary to exchange all 4 blocks
22	12332029	Washer	4		

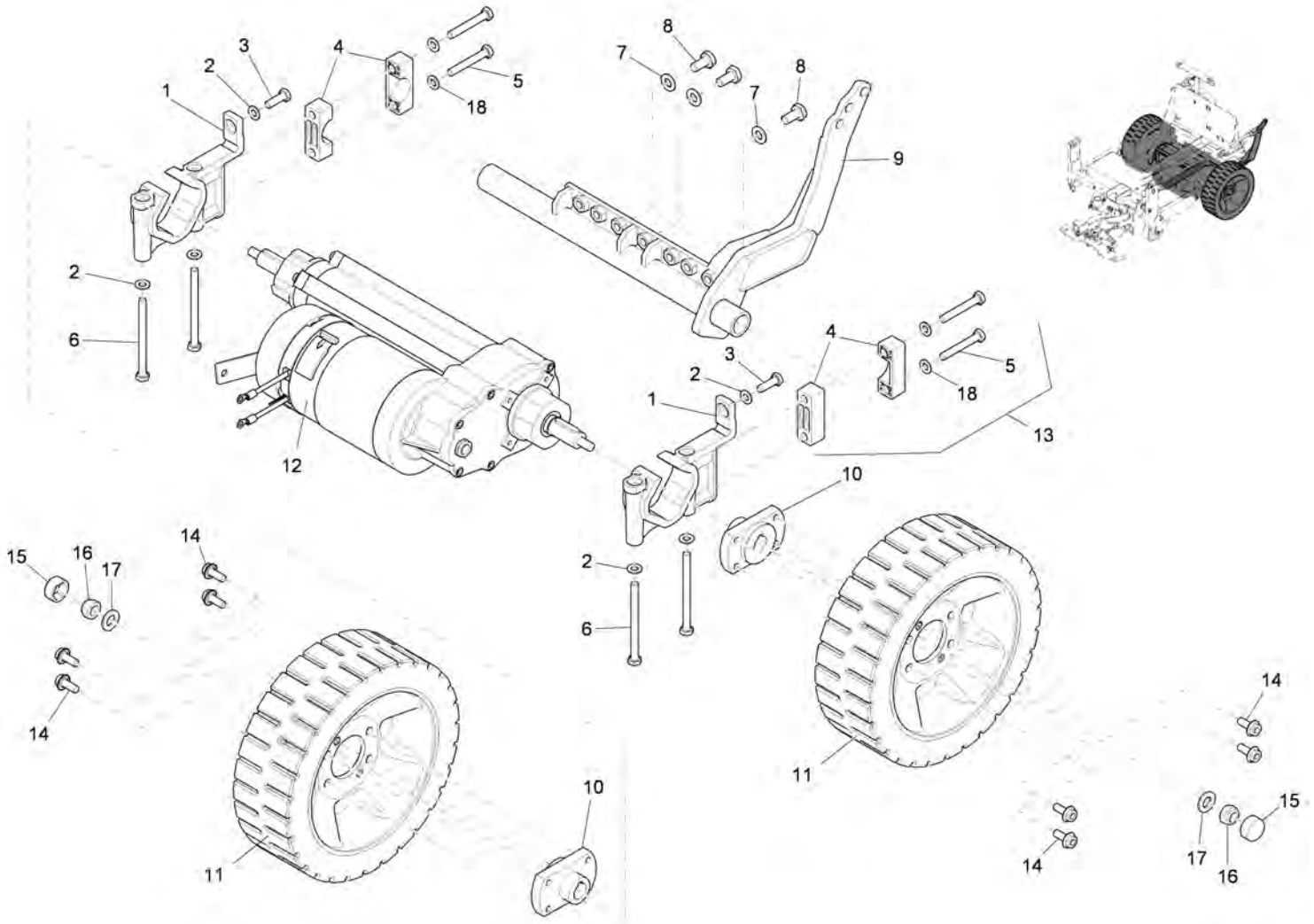
Motor Amer MRP-9-D (01077160)



**Motor Amer MRP-9-D (01077160)**

Item	Part number	Description	Qty.	Unit	Remarks
1	01077430	Washer	2		
2	01077420	Gasket	3		
3	01077410	Fitting key	2		
4	01077390	Gear box with shaft	1		
5	01077340	Motor	1		
6	01077360	Covering	1		
7	01077350	Carbon brush	4		
8	01077400	Bushing	2		
9	01077380	Nut	4		
10	01276000	Flange	2		
11	01171710	Parking brake	1		
12	01171720	Washer	3		
13	01171730	Screw	3		
14	01171700	Spring pin	1		
15	01077370	Stud screw	2		
16	01173630	Mounting clip	1		
17	01173050	Micro switch	1		

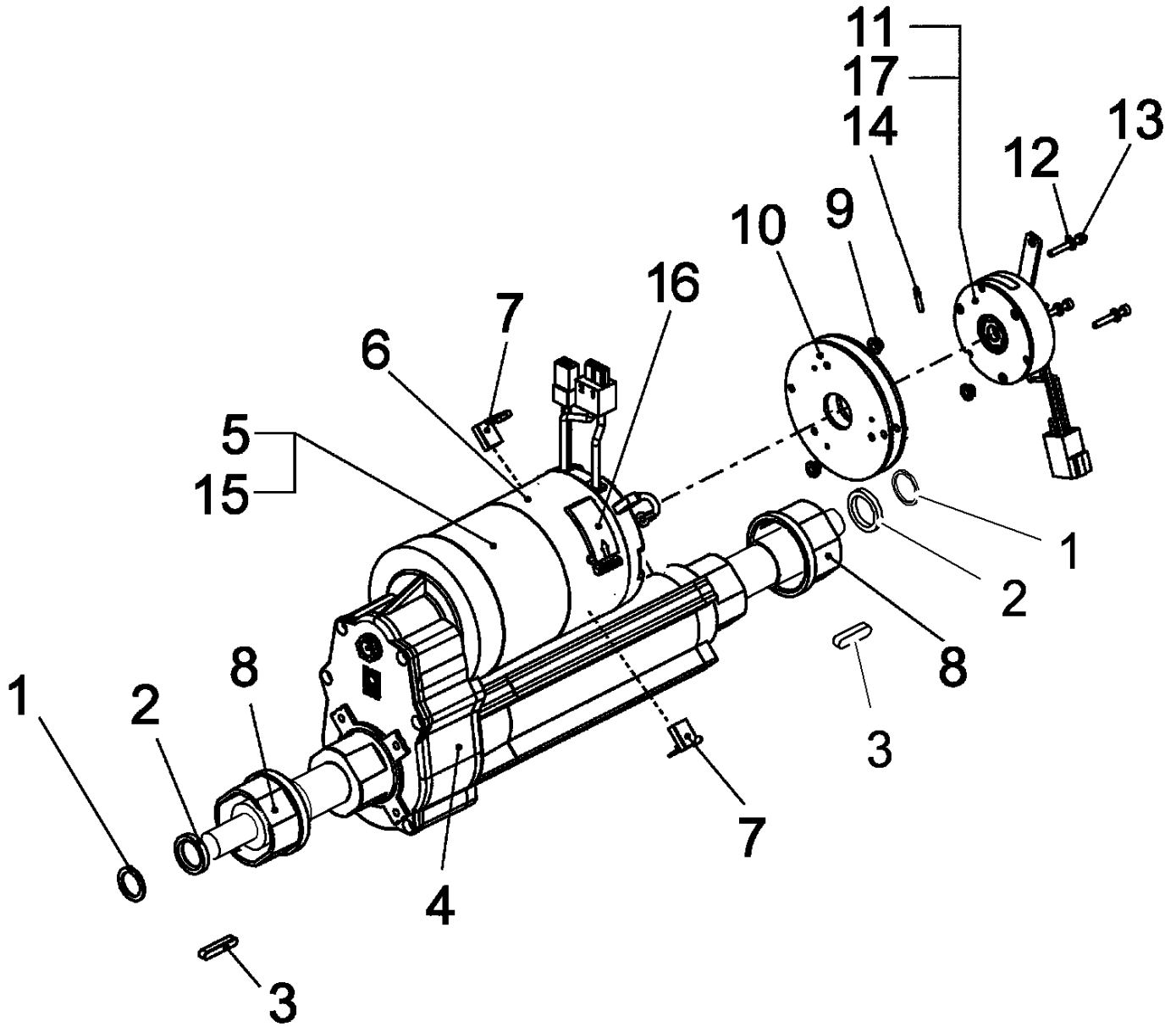
Chassis, cpl. part 2 (97098867-7061-33-2 B) 2008-12-01 -->



Chassis, cpl. part 2 (97098867-7061-33-2 B) 2008-12-01 -->

Item	Spare part number	Description	Qty.	Unit	Remarks
1	90512062	Bearing AMER	2		
2	12310041	Washer	10		
3	11038247	Hexagon screw	1		
4	90547811	Block	4		from appr. march 2008; if you want to exchange older blocks, please order Pos. 13!
5	11038296	Hex.bolt	4		
6	11032273	Hex.bolt	4		
7	12310058	Washer	3		
8	11038346	Hexagon screw	3		
9	96119003	Lever	1		
10	01078010	Hub	2		
11	96118849	Wheel	2		
12	<b>90531609</b>	<b>Traction drive</b>	<b>Page</b>	<b>38</b>	
13	00008980	Block	1		incl. Pos.4,5,18: please order kit because it's necessary to exchange all 4 blocks
14	11717203	Hexagon screw	8		Tightening torque: 38 Nm
15	15592058	protection cap	2		
16	12040077	Hex. Nut	2		
17	12310066	Washer	2		
18	12332029	Washer	4		

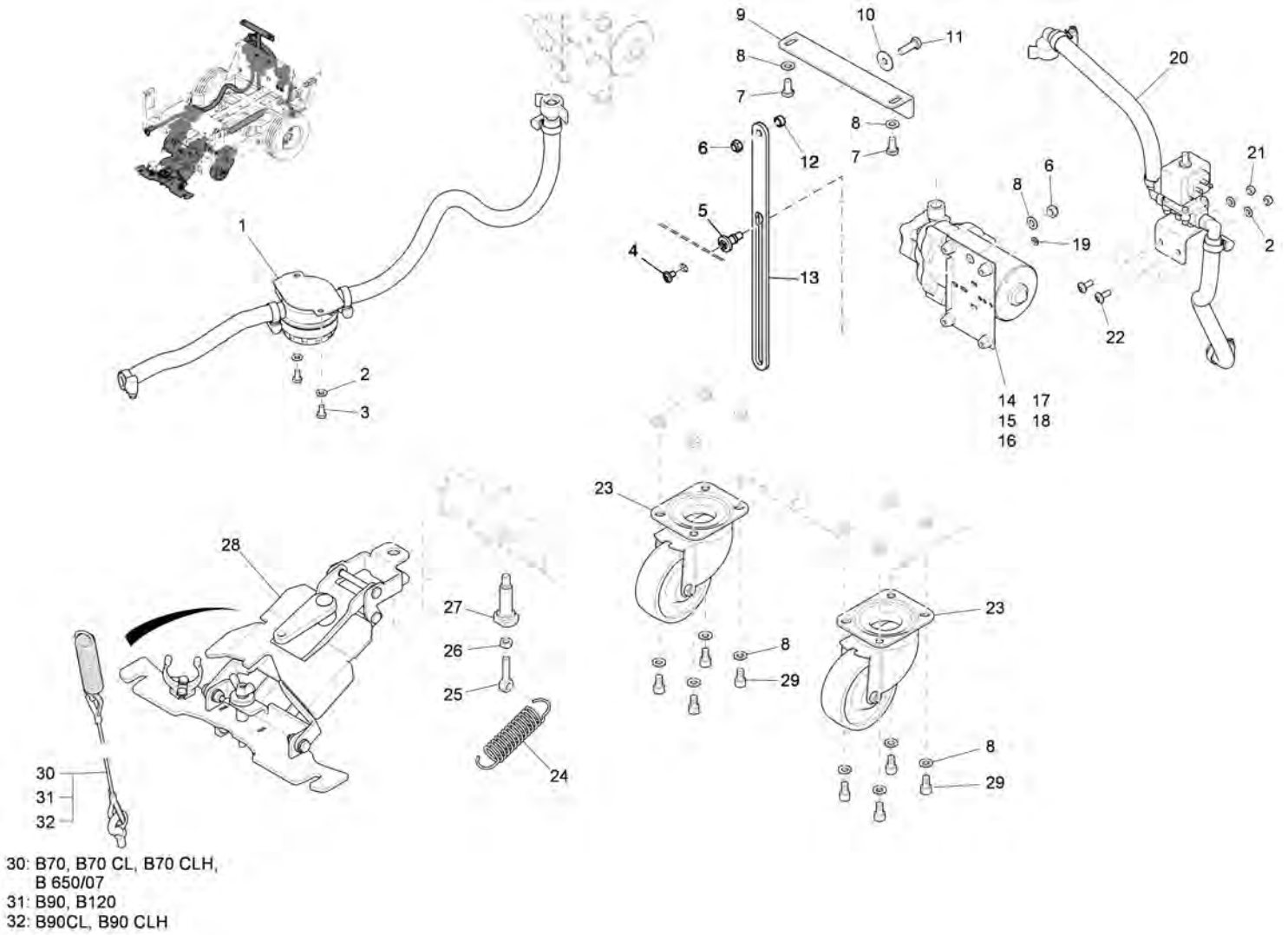
Motor Amer MRP-9-D (01077160)



**Motor Amer MRP-9-D (01077160)**

Item	Part number	Description	Qty.	Unit	Remarks
1	01077430	Washer	2		
2	01077420	Gasket	3		
3	01077410	Fitting key	2		
4	01077390	Gear box with shaft	1		
5	01077340	Motor	1		
6	01077360	Covering	1		
7	01077350	Carbon brush	4		
8	01077400	Bushing	2		
9	01077380	Nut	4		
10	01276000	Flange	2		
11	01171710	Parking brake	1		
12	01171720	Washer	3		
13	01171730	Screw	3		
14	01171700	Spring pin	1		
15	01077370	Stud screw	2		
16	01173630	Mounting clip	1		
17	01173050	Micro switch	1		

Chassis, cpl. part 3 (97098867-3)

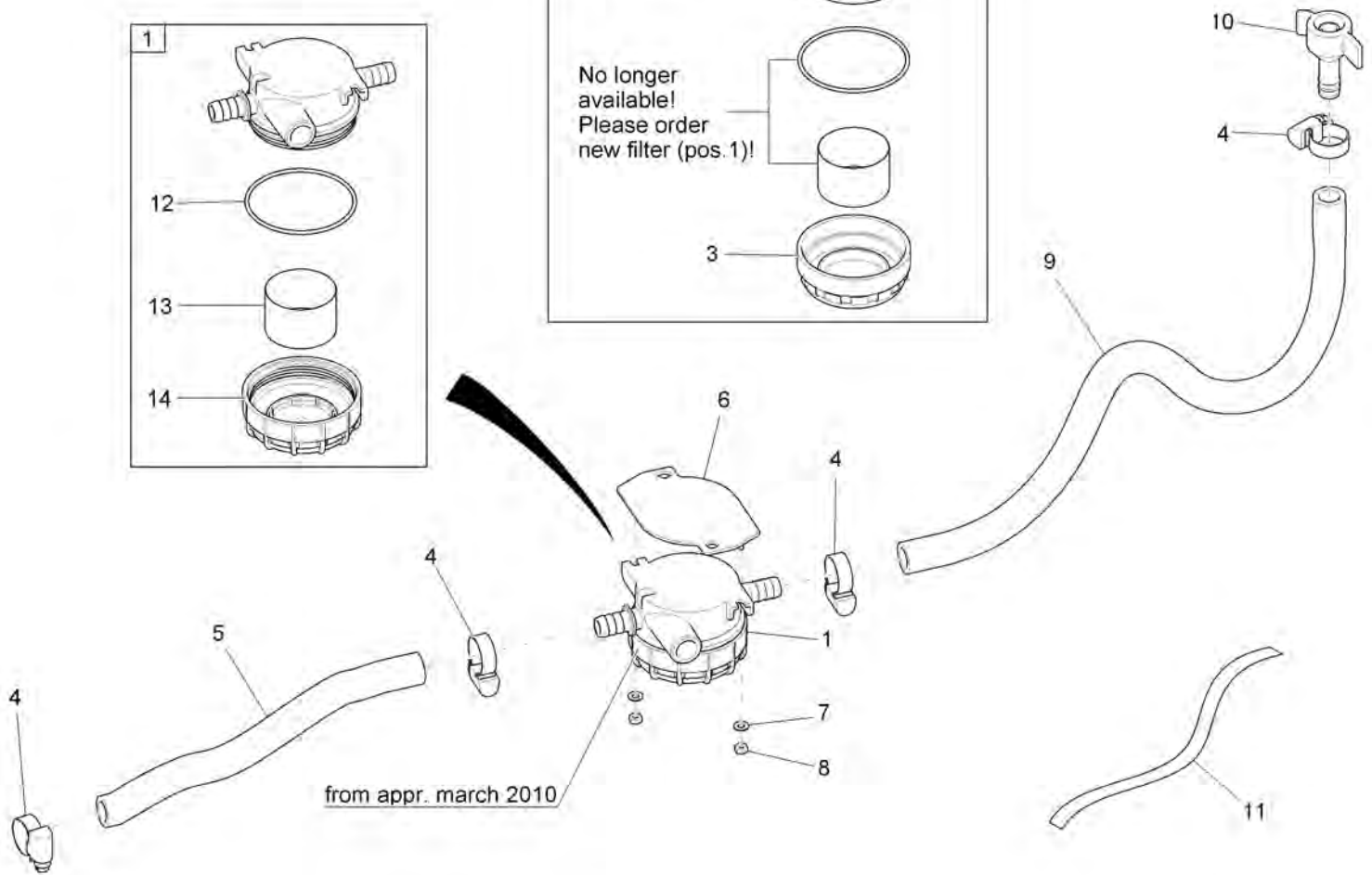
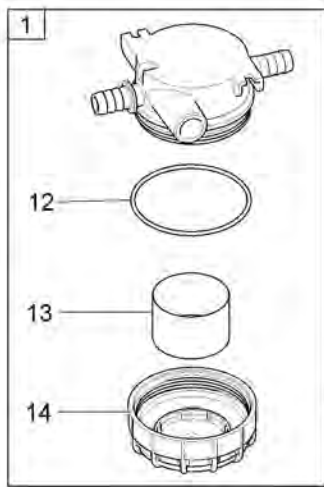
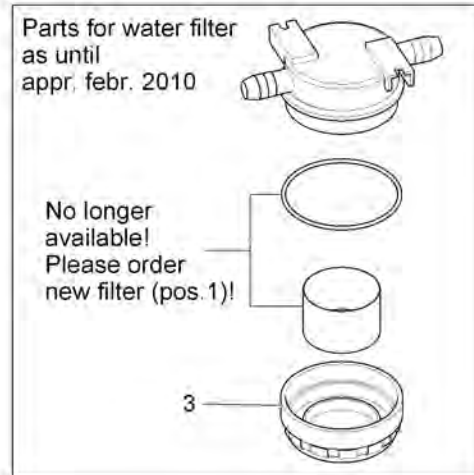




**Chassis, cpl. part 3 (97098867-3)**

Item	Spare part number	Description	Qty.	Unit	Remarks
1	<b>97094981</b>	<b>Water supply</b>	See	Page 44	<b>Not sold as an assembly</b>
2	12310033	Washer	4		
3	11038064	Hexagon screw	2		
4	11177179	Lens flange screw	1		
5	90513243	Bushing	1		
6	12040051	Hex. Nut	2		
7	11038197	Hexagon screw	10		
8	12310041	Washer	11		
9	90503160	Retainer	1		
10	12332029	Washer	1		
11	11038247	Hexagon screw	2		
12	90473158	Bushing	1		
13	90495268	Sheet metal	1		
14	90329095	Pump	1		
15	19725035	Socket-cont. Pos. Lock 6,3x0,8 (0,5-1,5)	1		
16	19791029	Female-housing 1-pole Positive Lock	1		
17	19791037	Male-housing 1-pole FASTIN-ON 6,3	1		
18	19724020	Tab	1		
19	00053720	Washer	1		
20	<b>97094999-7061-40</b>	<b>Water supply</b>	See	Page 46	<b>Not sold as an assembly</b>
21	12040044	Hex. Nut	2		
22	11177060	Lens flange screw	2		
23	90515131	Steering roller	2		
24	90523333	Tension spring	1		
25	11518180	Eye bolt	1		
26	12022059	Hex. Nut	1		
27	90513573	Pivot	1		
28	<b>03008100</b>	<b>Squeegee connection (Available! No.: 03008100)</b>	Page	48	
29	00103300	Socket head screw	8		
30	01077980	Linkage	1		

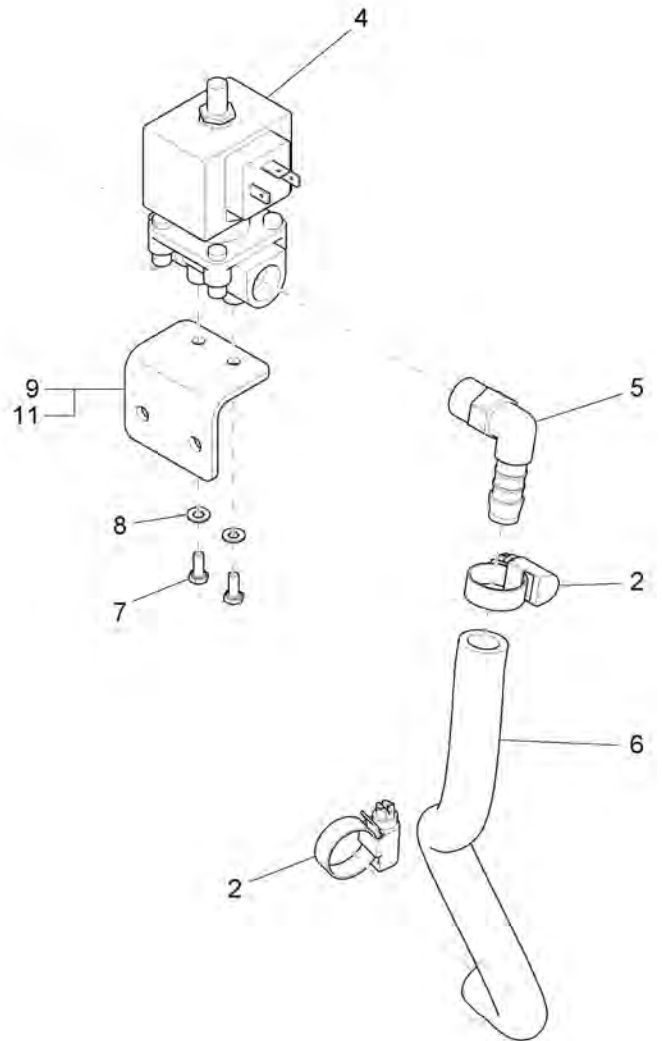
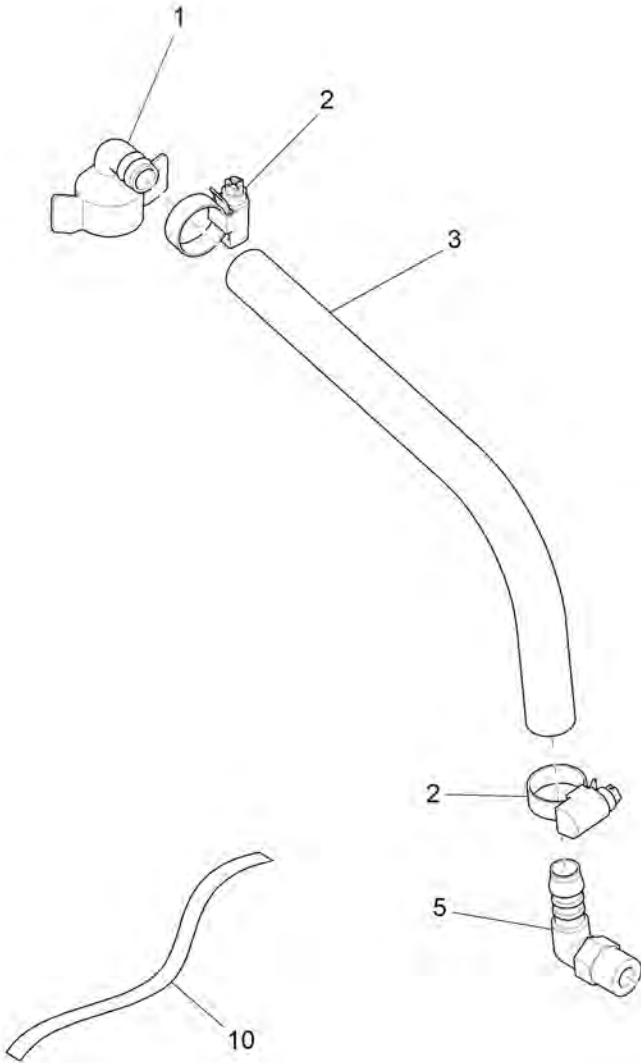
**Water supply (97094981)**



**Water supply (97094981)**

Item	Spare part number	Description	Qty.	Unit	Remarks
1	97113377	Water filter	1		
3	01076500	Screw cap	1		
4	3302144	Hose clamp	4		
5	25842055	PVC hose - Sold by the meter	300mm		
6	96115035	Sheet metal	1		
7	12310017	Washer	2		
8	12040028	Hex. Nut	2		
9	25842055	PVC hose - Sold by the meter	480mm		
10	90432071	Straight screw connection	1		
11	03007630	Sealing band	1		
12	15282155	O-ring	1		
13	90542549	Strainer	1		
14	90576778	Filter cover	1		

Water supply (97094999-7061-40)



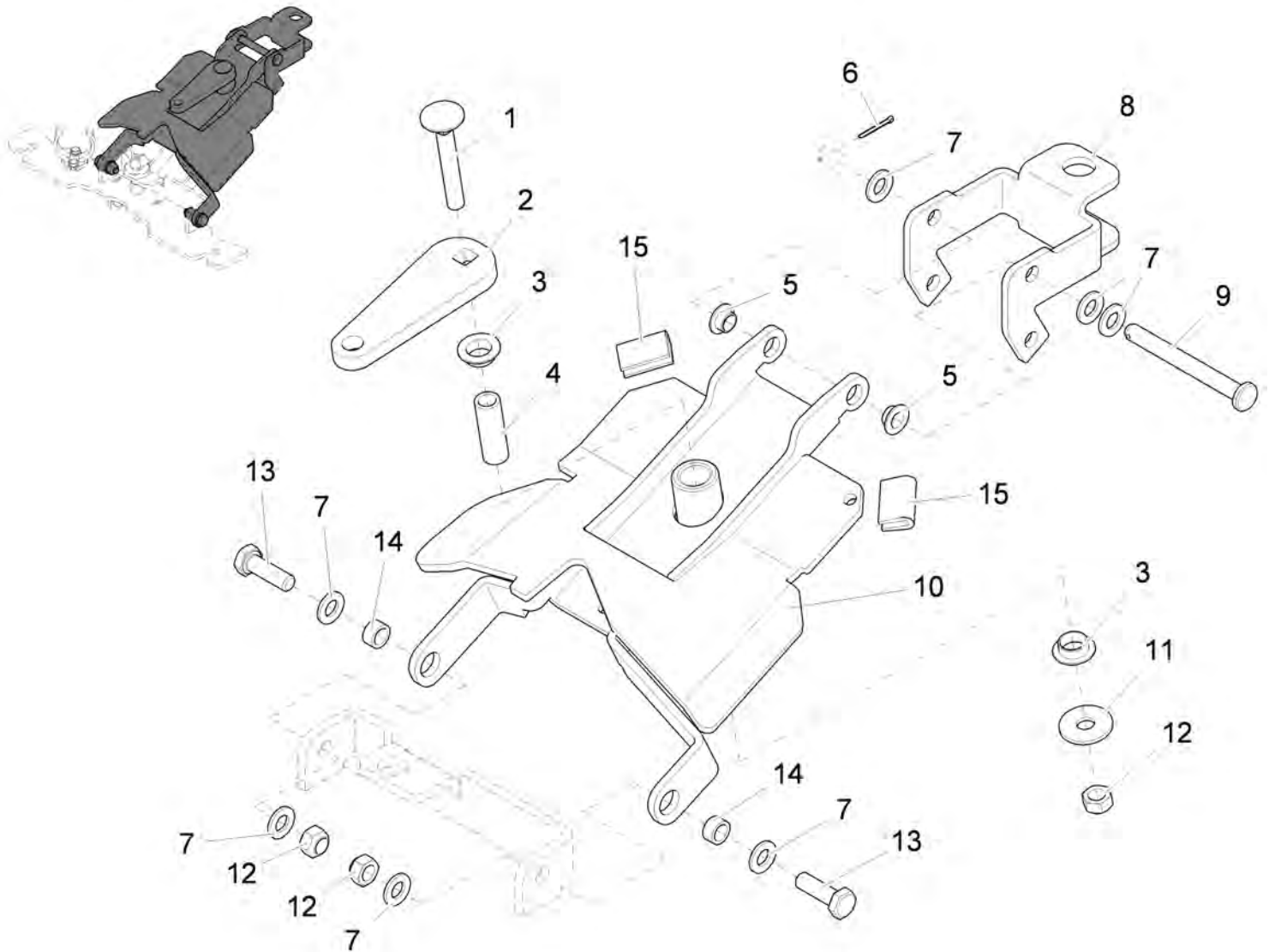
**Water supply (97094999-7061-40)**

Item	Spare part number	Description	Qty.	Unit	Remarks
1	90330168	Screwed angle fitting	1		
2	3302144	Hose clamp	4		
3	25842055	PVC hose - Sold by the meter	1		
4	90435595	Electrovalve	1		
5	90174970	Angle socket	2		
6	25842055	PVC hose - Sold by the meter	1		
7	11038965	Hex.bolt	2		
8	12310017	Washer	2		
9	90513904	Retainer	1		until ca. march 2007
10	03007630	Sealing band	1		
11	01170030	Retainer	1		from ca. march 2007

**Squeegee connection (Available! No.: 03008100) (03008100)**

<b>Assembly</b>	<b>Description</b>	<b>Page</b>
97099915-1	Squeegee connection (until appr. 15. Apr. 2008) part 1	47
97099915-2	Squeegee connection (until appr. 15. Apr. 2008) part 2	49
03008100BT10	Squeegee connection (from appr. 15. Apr. 2008) part 1	51
03008100BT20	Squeegee connection (from appr. 15. Apr. 2008) part 2	53

Squeegee connection (until appr. 15. Apr. 2008) part 1 (97099915-1)

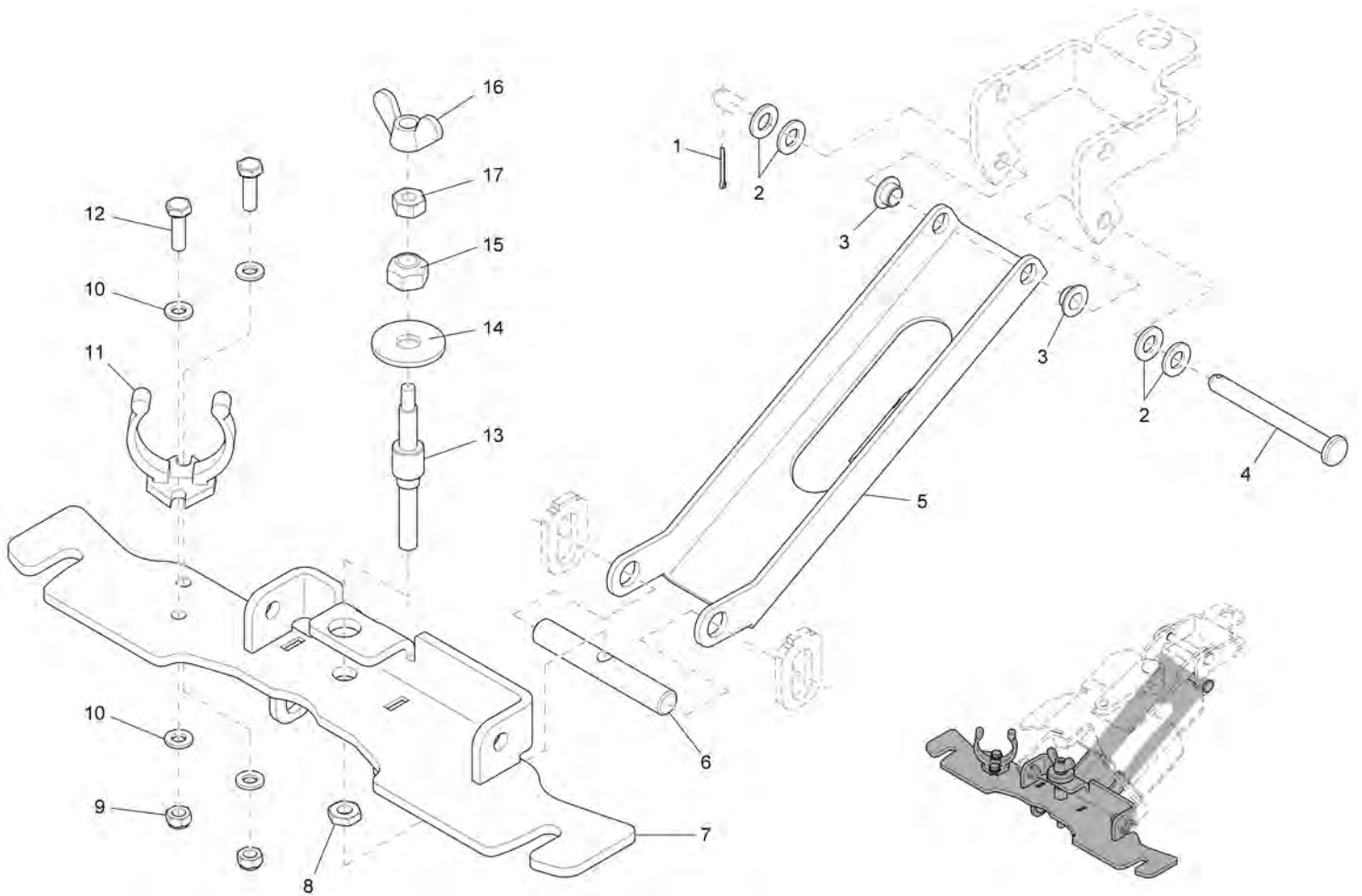


**Squeegee connection (until appr. 15. Apr. 2008) part 1 (97099915-1)**

Item	Spare part number	Description	Qty.	Unit	Remarks
1	11620564	Cup head square neck bolt	1		
2	90521790	Sheet metal	1		
3	14895478	Slide bearing bush	2		
4	90204702	Pipe	1		
5	14895460	Slide bearing bush	2		
6	13280078	Cotter pin	1		
7	12310041	Washer	5		
8	90534710	Round part	1		
9	01078220	Bolt	1		
10	01079290	Sheet metal	1		
11	12332029	Washer	1		
12	12040051	Hex. Nut	3		
13	11038247	Hexagon screw	2		
14	90473158	Bushing	2		
15	25582024	Edge protection - Sold by the meter	1		60MM



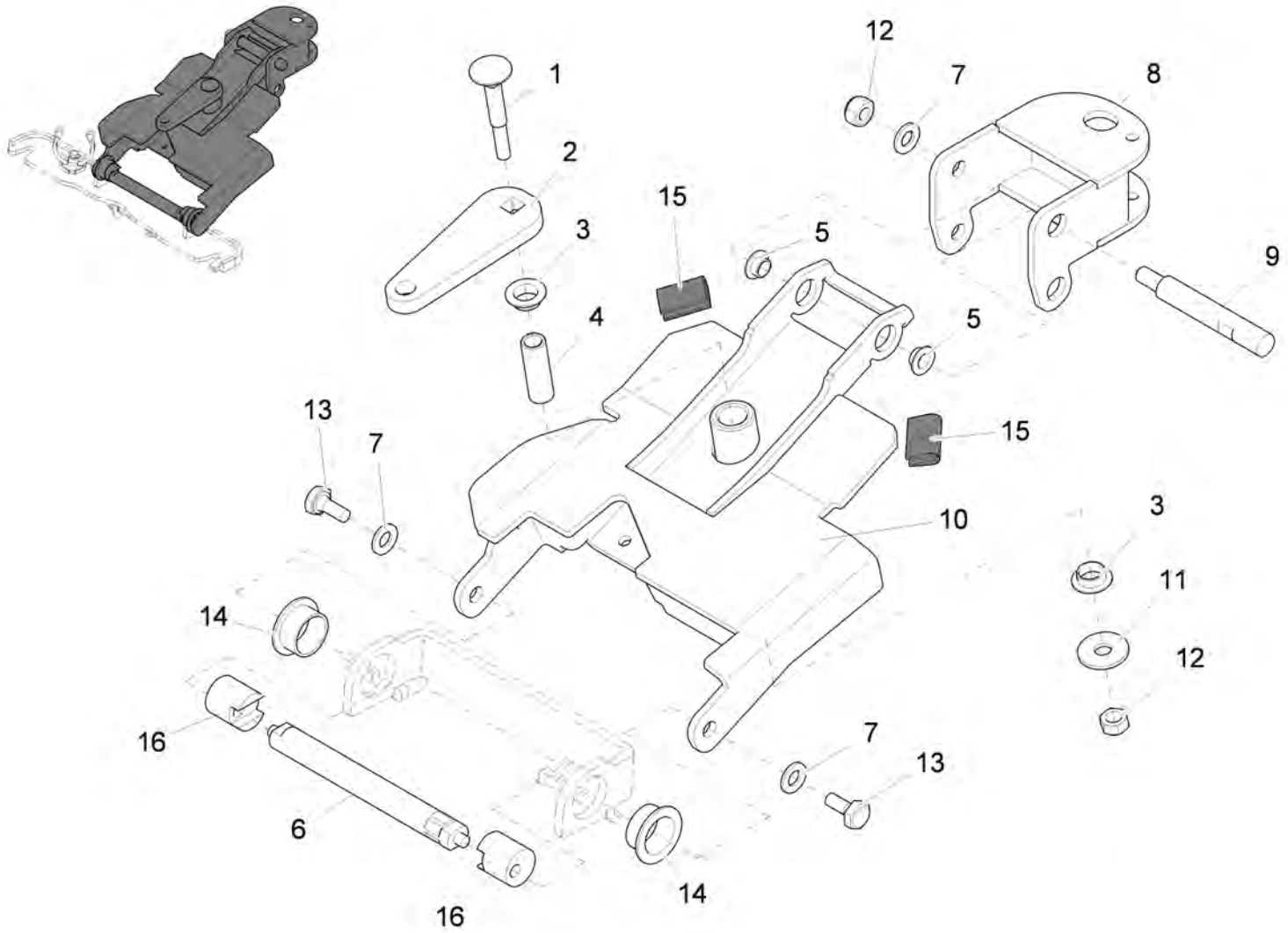
Squeegee connection (until appr. 15. Apr. 2008) part 2 (97099915-2)



**Squeegee connection (until appr. 15. Apr. 2008) part 2 (97099915-2)**

Item	Spare part number	Description	Qty.	Unit	Remarks
1	13280078	Cotter pin	1		
2	12310041	Washer	1		
3	14895460	Slide bearing bush	2		
4	13328935	Bolt	1		
5	90495805	Draft link	1		
6	90467686	Bolt	1		
7	96110242	Sheet metal	1		
8	12012019	Hex. Nut	2		
9	12040044	Hex. Nut	2		
10	12310033	Washer	4		
11	90503251	Hose support	1		
12	11038098	Hexagon screw	2		
13	90515149	Threaded pin	1		
14	12332029	Washer	1		
15	12040051	Hex. Nut	1		
16	12158028	Wing nut	1		
17	12022042	Hex. Nut	1		

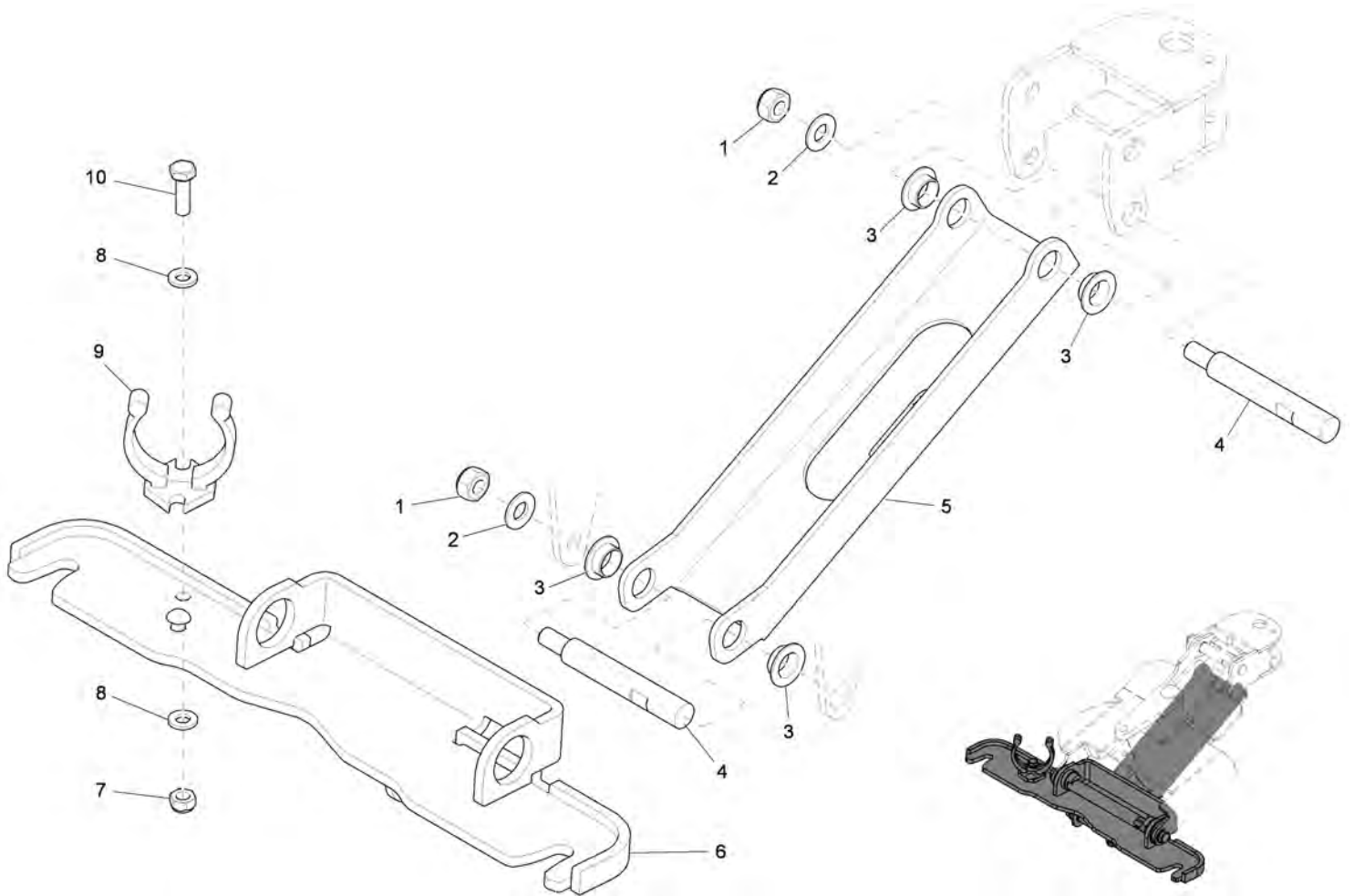
Squeegee connection (from appr. 15. Apr. 2008) part 1 (03008100BT10)



**Squeegee connection (from appr. 15. Apr. 2008) part 1 (03008100BT10)**

Item	Spare part number	Description	Qty.	Unit	Remarks
1	11620564	Cup head square neck bolt	1		
2	90521790	Sheet metal	1		
3	14895478	Slide bearing bush	2		
4	90547886	Bushing	1		
5	14895197	Slide bearing bush	2		
6	90546847	Shaft	1		
7	730609	Washer	3		
8	96119938	Round part	1		
9	90547381	Threaded bolt	1		
10	01171300	Sheet metal	1		
11	12332029	Washer	1		
12	12040259	Hex. Nut	2		
13	11039609	Hex.bolt	2		
14	14895361	Slide bearing bush	2		
15	25582024	Edge protection - Sold by the meter	60mm		
16	90547399	Eccentric cam	2		

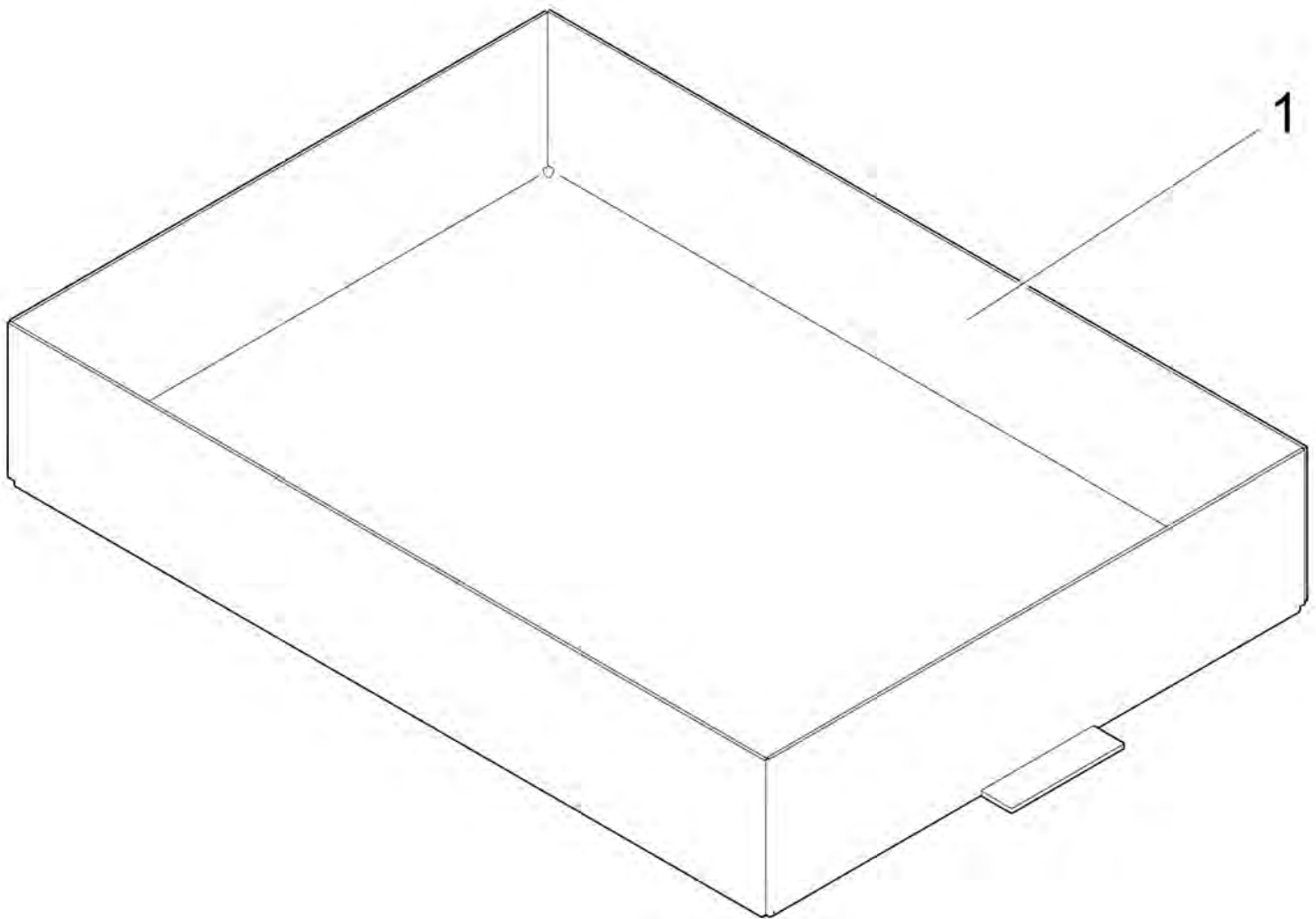
Squeegee connection (from appr. 15. Apr. 2008) part 2 (03008100BT20)



**Squeegee connection (from appr. 15. Apr. 2008) part 2 (03008100BT20)**

Item	Spare part number	Description	Qty.	Unit	Remarks
1	12040259	Hex. Nut	2		
2	730609	Washer	2		
3	14895197	Slide bearing bush	2		
4	90547381	Threaded bolt	3		
5	90543521	Draft link	1		
6	96120993	Sheet metal	1		
7	12310033	Hex. Nut	1		
8	12310033	Washer	2		
9	90503251	Hose support	1		
10	11038098	Hexagon screw	1		

Battery tray (99706133BT50)

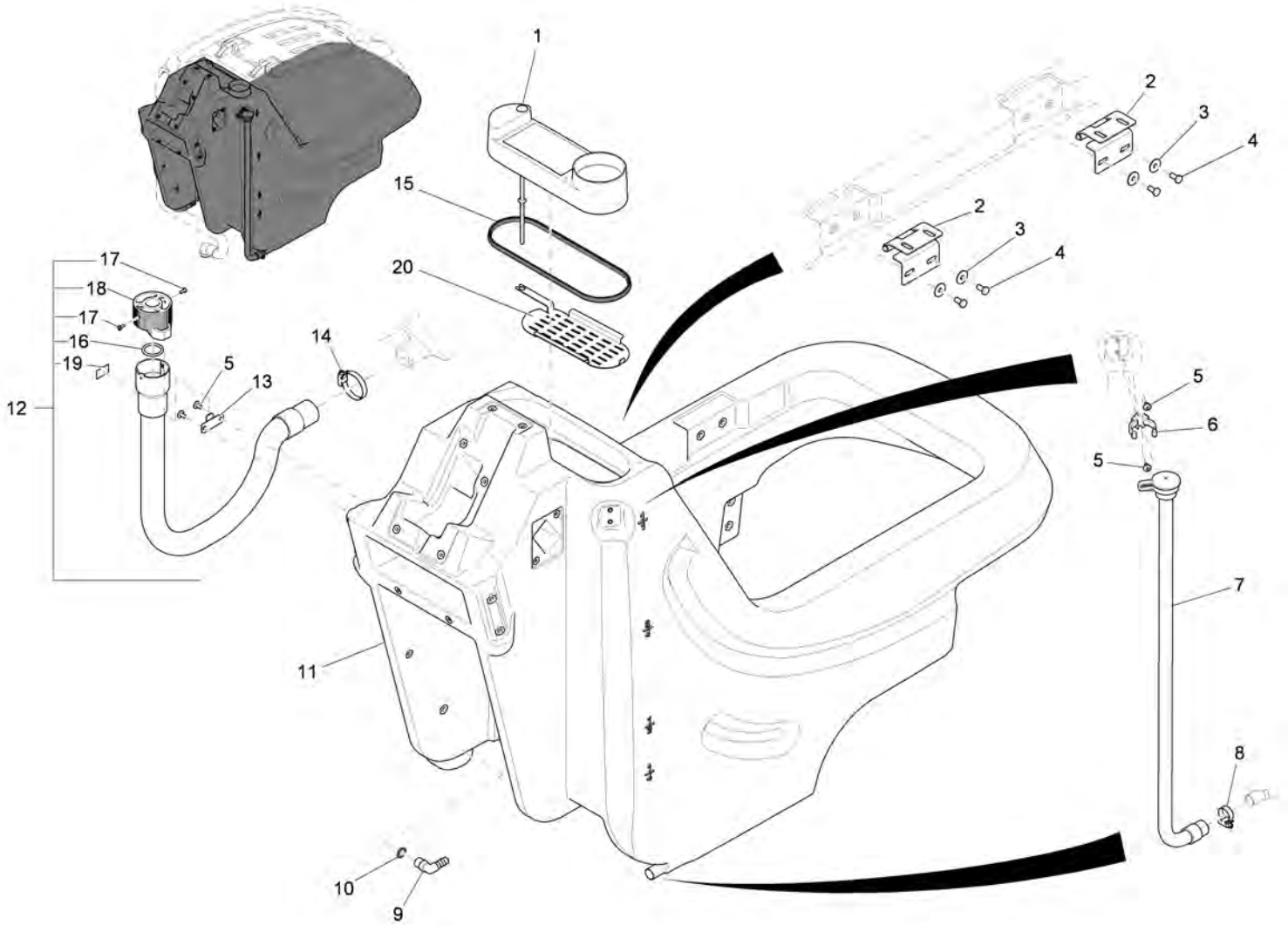


**Battery tray (99706133BT50)**

Item	Part number	Description	Qty.	Unit	Remarks
1	03007960	Battery tray	1		



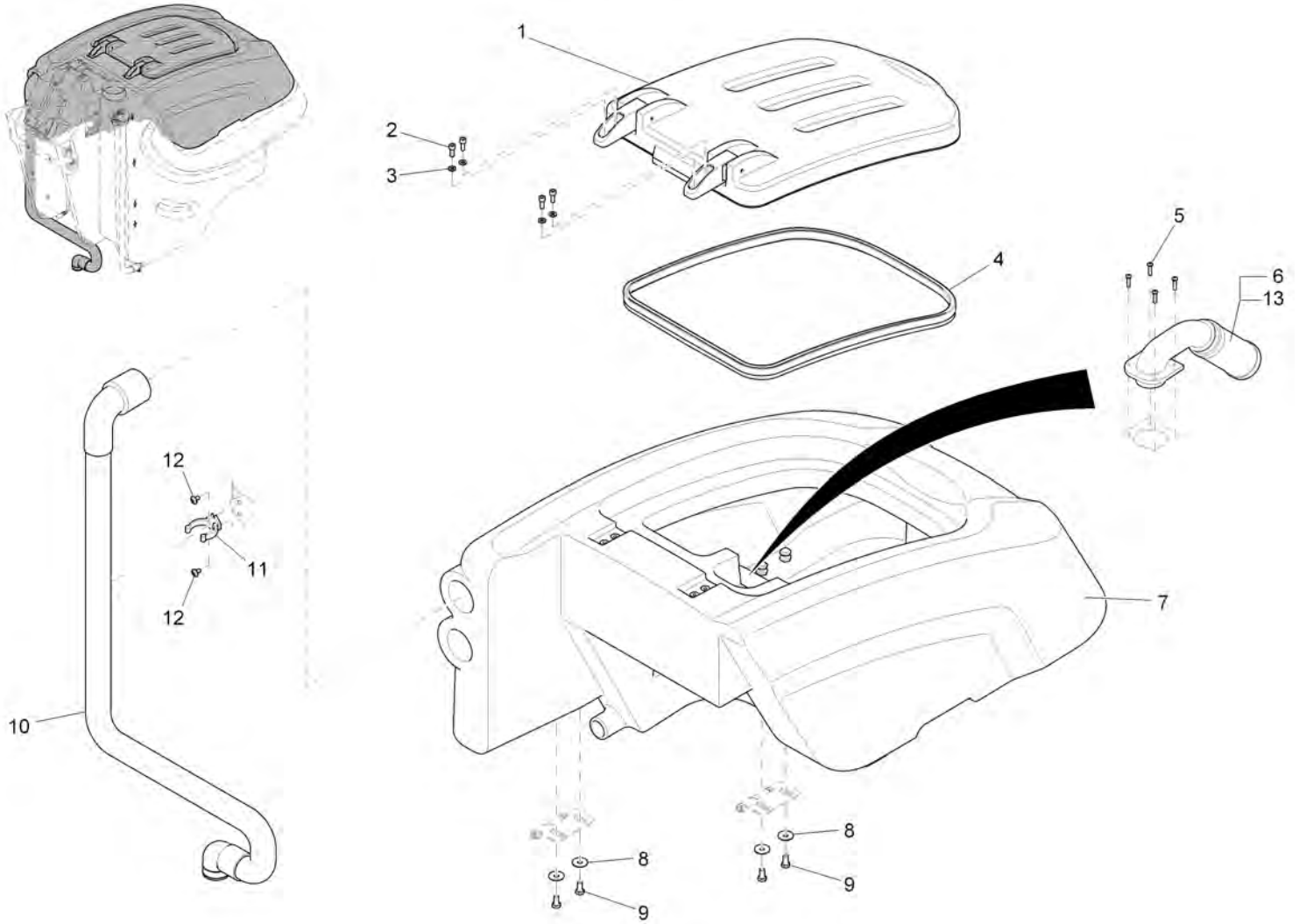
Hopper cpl. part1 (97121743-1 7061-33)



Hopper cpl. part1 (97121743-1 7061-33)

Item	Spare part number	Description	Qty.	Unit	Remarks
1	96114061	Fresh water cap	1		
2	90496910	Hinge	2		
3	12332029	Washer	4		
4	11038197	Hexagon screw	4		
5	11177179	Lens flange screw	4		
6	90503251	Hose support	1		
7	96109541	Hose	1		
8	3300535	Clamp	1		
9	90174970	Angle socket	1		
10	15286149	O-ring oil resistant	1		
11	96117734	Fresh water tank	1		
12	97090096	Foul water hose	1		
13	90517574	Hook	1		
14	760245	Hose clamp	1		
15	25583022	Edge protection - Sold by the meter	710mm		
16	15282072	O-Ring	1		
17	11175395	Fillister-head screw	2		
18	90304528	Cover	1		
19	17264888	Decal FOUL WATER	1		
20	01177520	Strainer	1		

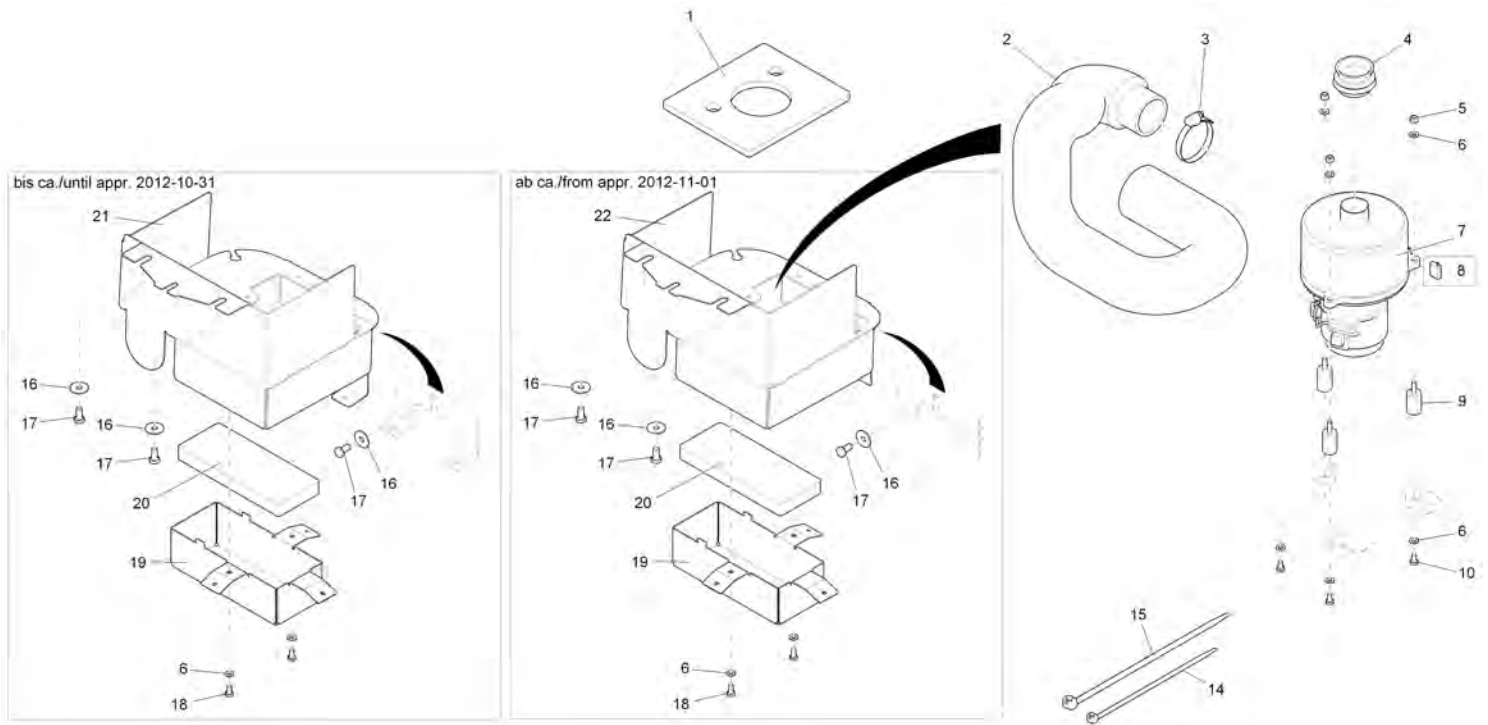
Hopper cpl. part2 (97121743-2)



**Hopper cpl. part2 (97121743-2)**

Item	Spare part number	Description	Qty.	Unit	Remarks
1	97106645	Cover	1		
2	11126166	Cylinder head screw	4		
3	12310033	Washer	4		
4	25510512	Sealing profile - Sold by the foot	1580 mm		
5	01078160	Screw	4		
6	97118731	Filter unit	1		
7	96117726HR	Dirt container	1		
8	12332029	Washer	4		
9	11038197	Hexagon screw	4		
10	96130901	Suction hose	1		
11	90503251	Hose support	1		
12	11177179	Lens flange screw	2		
13	01274860	O-ring	1		

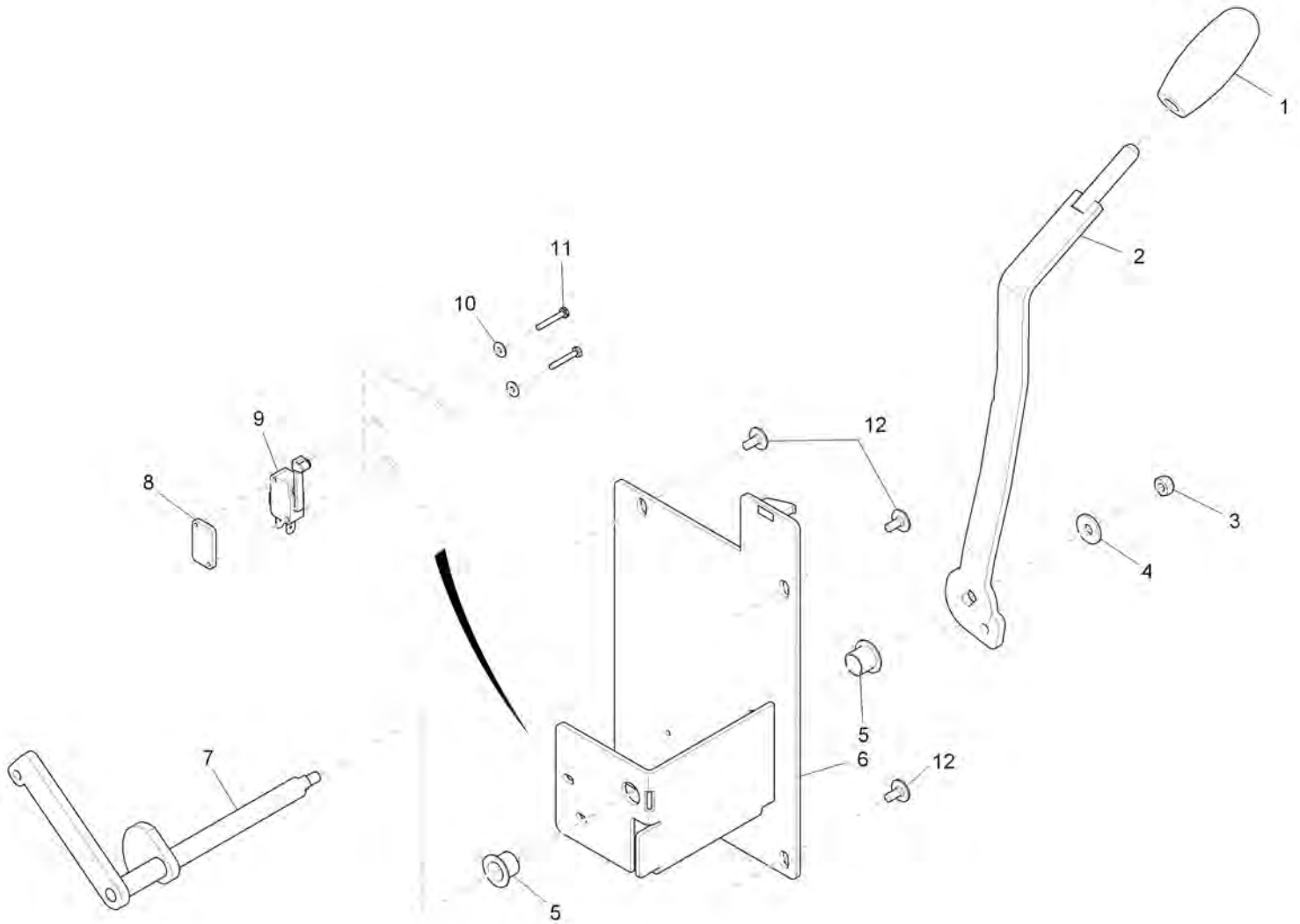
**Suction (97092811)**



**Suction (97092811)**

Item	Spare part number	Description	Qty.	Unit	Remarks
1	90523945	Insulation mat	1		
2	90519737	Hose	1		
3	00732130	Hose clamp	1		
4	90503657	Connection	1		
5	12040044	Hex. Nut	3		
6	12310033	Washer	8		
7	97096200	Suction motor	1		
8	00048840	Carbon brush	4		
9	90518457	Buffer	3		
10	11038833	Hex.bolt	3		
14	828062	Cable tie	1		
15	361218	Cable tie	4		
16	12332029	Washer	3		
17	11038197	Hexagon screw	3		
18	11038064	Hexagon screw	2		
19	90519653	Cover	1		
20	90519745	Insulation mat	1		
21	96114301	Sheet metal	1		
22	96137567	Sheet metal	1		

Squeegee operation (Available! No.: 00009000) (00009000)

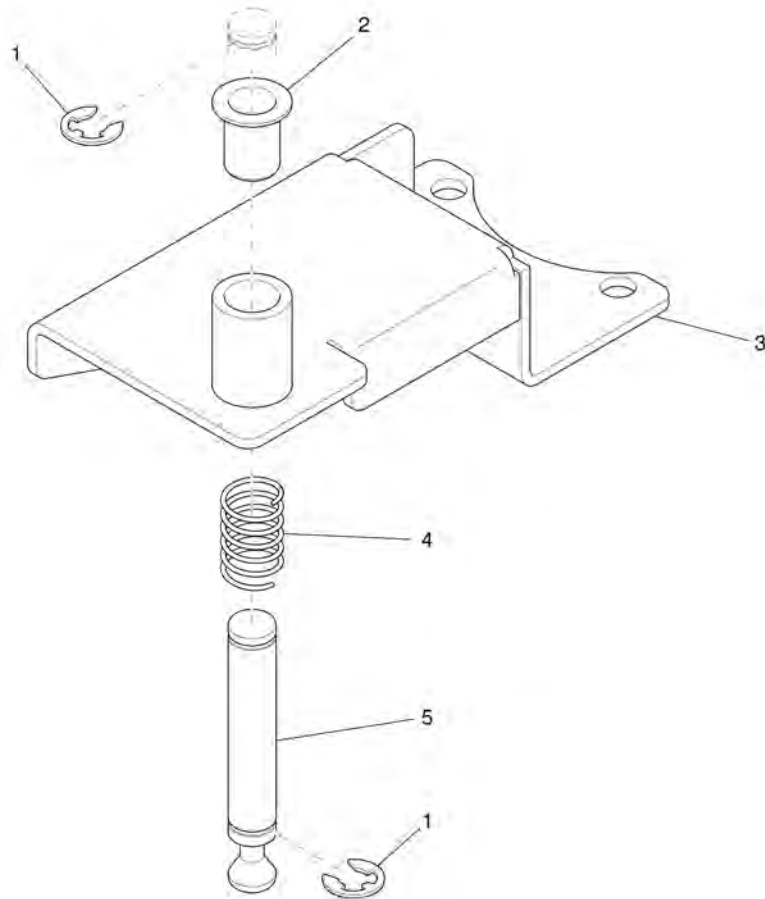


**Squeegee operation (Available! No.: 00009000) (00009000)**

Item	Spare part number	Description	Qty.	Unit	Remarks
1	17143025	Handle	1		
2	96119581	Lever	1		
3	12040044	Hex. Nut	1		
4	12332011	Washer	1		
5	14895288	Plain bearing bush	2		
6	96118971	Support plate	1		
7	96110705	Shaft with cam	1		
8	90471483	Thread base plate	1		
9	90636234	Micro switch	1		
10	12332110	Washer	2		
11	11039088	Hex.bolt	2		
12	11177179	Lens flange screw	4		



Squeegee lock (97096655)



**Squeegee lock (97096655)**

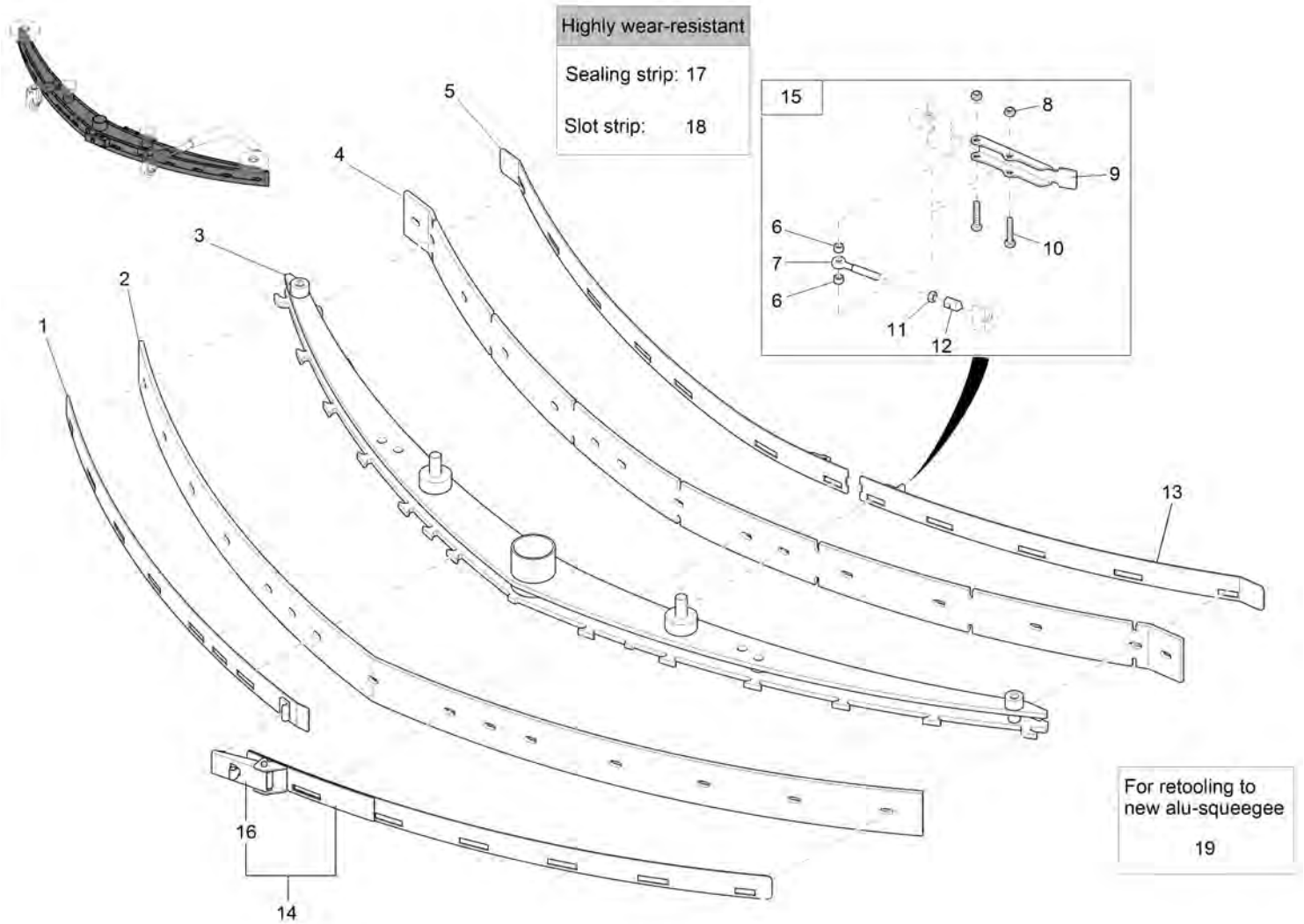
Item	Part number	Description	Qty.	Unit	Remarks
1	00046280	Thrust washer	2		
2	00041400	Plain bearing bush	1		
3	01170730	Folding plate	1		
4	01170280	Cyl.compression spring	1		
5	01170270	Pin	1		

**Squeegee 950mm (97094502) 1900-01-01 --> 2009-09-30**

<b>Assembly</b>	<b>Description</b>	<b>Page</b>
97094502-1	Squeegee 95cm part 1	68
97094502-2	Squeegee 95cm part 2	70

Squeegee 95cm part 1 (97094502-1) 2008-03-01 --> 2009-09-30

## Old Style Squeegee Assembly



# Old Style Squeegee Assembly



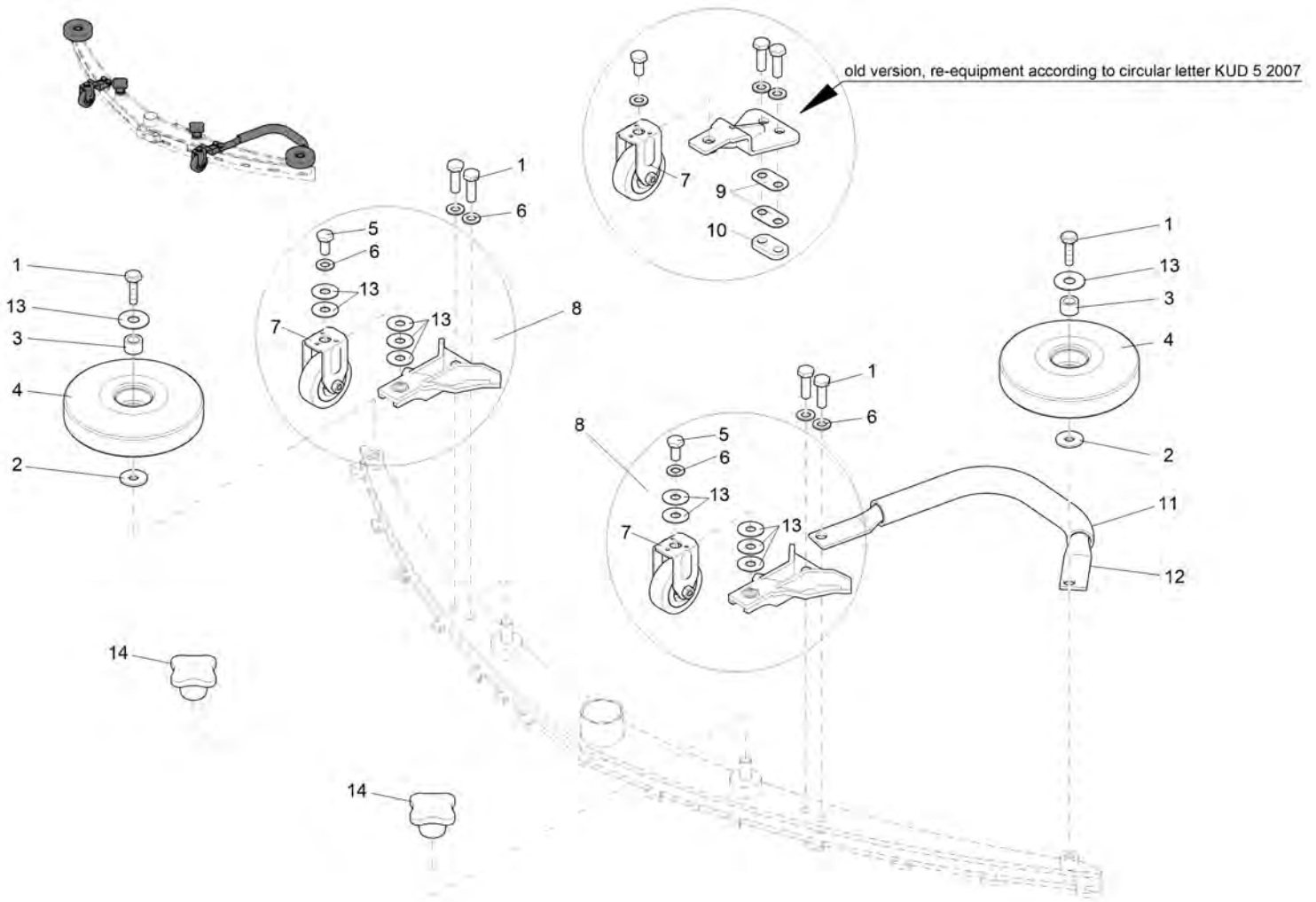
## Squeegee 95cm part 1 (97094502-1) 2008-03-01 --> 2009-09-30

Item	Spare part number	Description	Qty.	Unit	Remarks
1	96125844	Rear tension band	1		
2	90494139	Squeegee Blade, Rear	1		
3	01077940	Suction unit Replaced by 172539-E26	1		
3	--	No longer available! - Use 172539-E26	1		Squeegee (01077940) is no longer available! Please order pos. 19 uniquely and retool it! Afterwards order from BOM 01178270, please!
4	90493560	Squeegee Blade, Front	1		
5	96125836	Front tension band	1		
6	90514506	Bushing	2		
7	11518313	Eye bolt	1		
8	12040283	Hex. Nut	2		
9	172234	Lever	1		
10	11039765	Hexagon screw	2		
11	12022430	Hex. Nut	1		
12	90513631	Pressure piece	1		
13	96125828	Front tension band	1		
14	96125851	Rear tension band	1		
15	00009010	Lock suction unit	1		
16	17383209	Lock	1		
17	01179180	Squeegee Blade,Rear Linatex	1		for 95cm squeegee
18	01179170	Squeegee Blade, Front Linatex	1		for 95cm squeegee
19	172539-E26	Suction unit kit 95cm	1		

# Old Style Squeegee Assembly



Squeegee 95cm part 2 (97094502-2) 2008-03-01 --> 2009-09-30



# Old Style Squeegee Assembly



## Squeegee 95cm part 2 (97094502-2) 2008-03-01 --> 2009-09-30

Item	Spare part number	Description	Qty.	Unit	Remarks
1	11039567	Hexagon screw	6		
2	12332136	Washer	2		
3	90199019	Pipe	2		
4	90548397	Deflector roller	2		
5	11039609	Hex.bolt	2		
6	730609	Washer	4		
7	90513094	Fixed castor	2		
8	01079070	Fixed castor - No longer availble	2		
9	01077610	Distance piece	2		
10	90514936	Distance piece	1		
11	25842105	Hose - Sold by the meter	0,250	MM	
12	90515461	Bracket	1		
13	90531112	Spacer	10		
14	01274760	Star handle yellow	2		

# New Style Squeegee Assembly



Squeegee 950mm, cpl. (Available! No.: 01178270) (01178270) 2009-10-01 -->

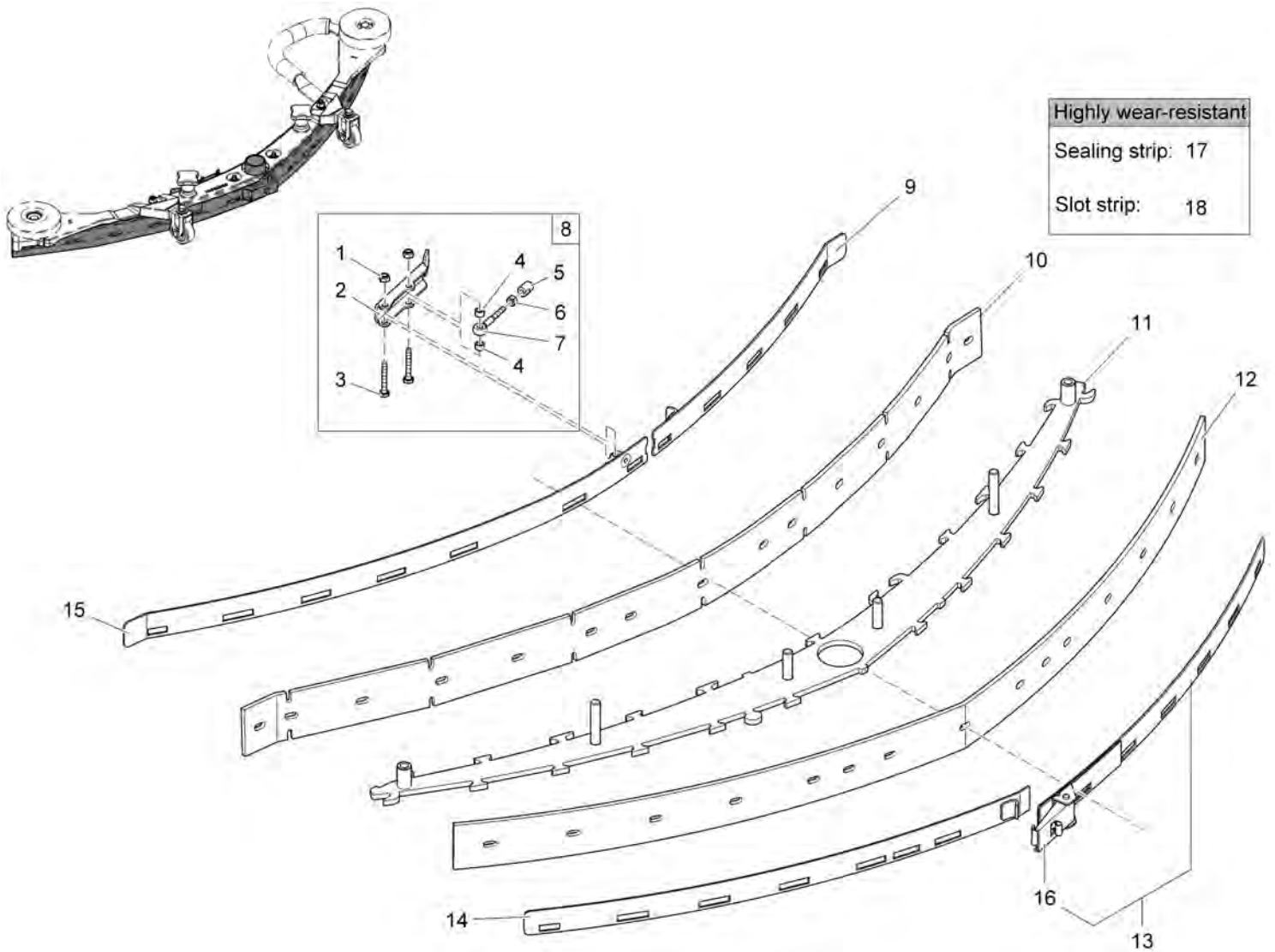
Assembly	Description	Page
01178270-1	Squeegee 950mm part 1 Not offered as an assembly	73
01178270-2	Squeegee 950mm part 2 Not offered as an assembly	75



# New Style Squeegee Assembly



## Squeegee 950mm part 1 (01178270-1)



# New Style Squeegee Assembly



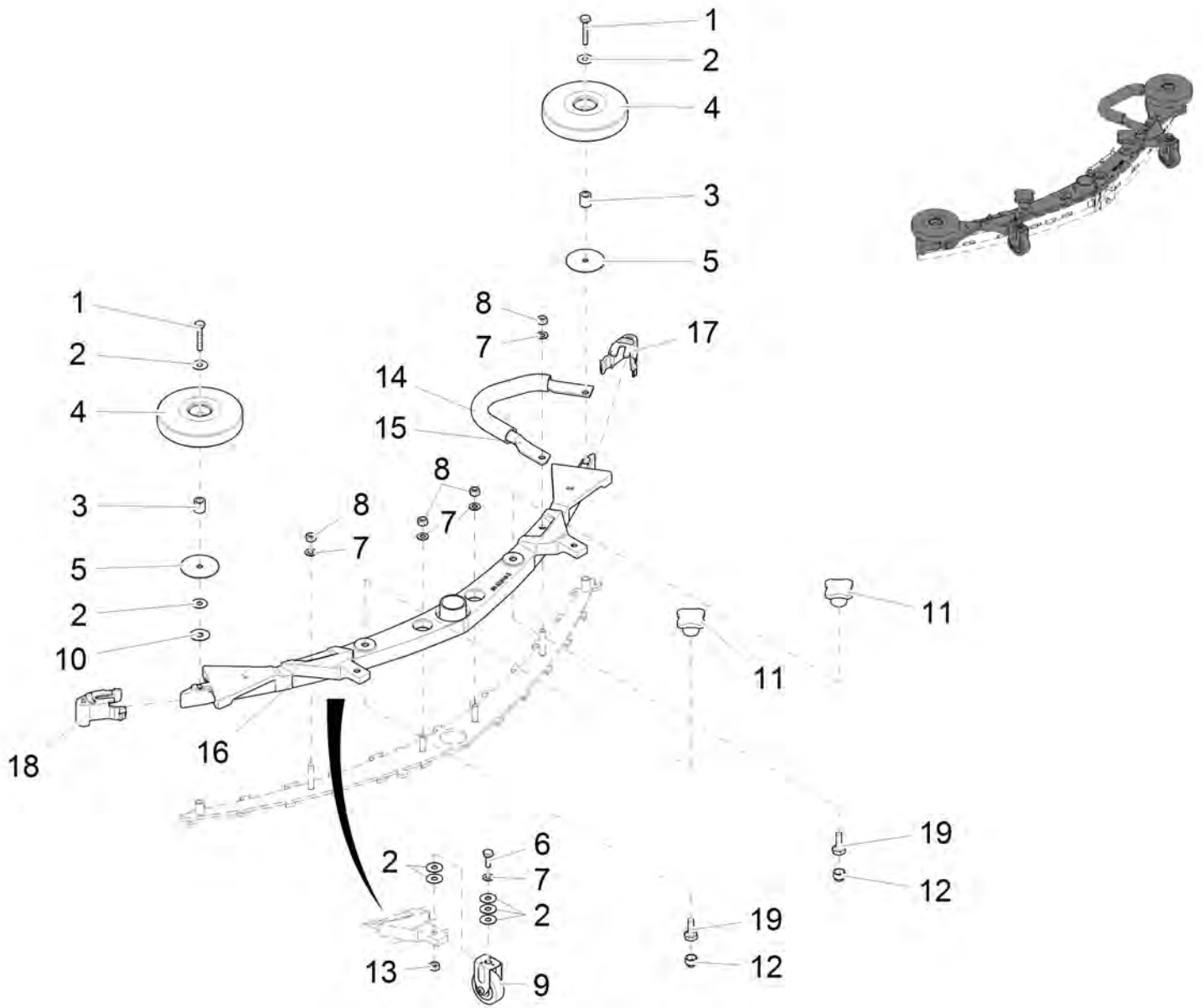
## Squeegee 950mm part 1 (01178270-1)

Item	Spare part number	Description	Qty.	Unit	Remarks
1	12040283	Hex. Nut	2		
2	172234	Lever	1		
3	11039765	Hexagon screw	2		
4	90514506	Bushing	2		
5	90513631	Pressure piece	1		
6	12022430	Hex. Nut	1		
7	11518313	Eye bolt	1		
8	00009010	Lock suction unit	1		
9	96125828	Front tension band	1		
10	90493560	Squeegee Blade, Front	1		
11	01178350	Base plate	1		
12	90494139	Squeegee Blade, Rear	1		
13	96125851	Rear tension band	1		
14	96125844	Rear tension band	1		
15	96125836	Front tension band	1		
16	17383209	Lock	1		
17	01179180	Squeegee Blade, Rear Linatex	1		for 95cm squeegee
18	01179170	Squeegee Blade, Front Linatex	1		for 95cm squeegee

# New Style Squeegee Assembly



Squeegee 950mm part 2 (01178270-2)



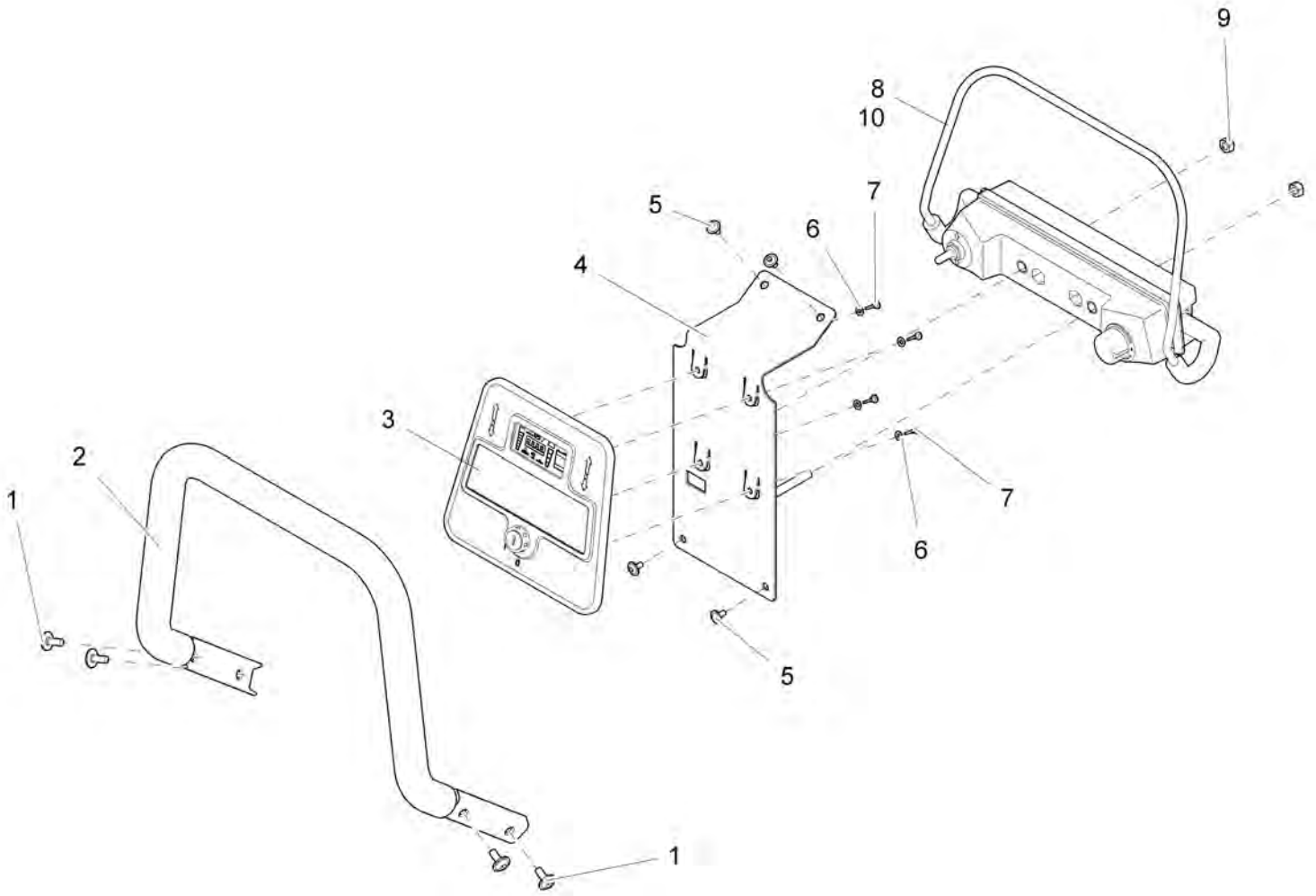
# New Style Squeegee Assembly



## Squeegee 950mm part 2 (01178270-2)

Item	Spare part number	Description	Qty.	Unit	Remarks
1	00059460	Hex.bolt	2		
2	90531112	Spacer	13		
3	90199019	Pipe	2		
4	J€ I I H I	Deflector roller	2		
5	01178290	Conical spring washer	2		
6	01162510	Hexagon screw	2		
7	I H I € J	Washer	6		
8	F€ I € G J	Hex. Nut	4		
9	90513094	Fixed castor	2		
10	00902280	Washer	1		
11	01274760	Star handle yellow	2		
12	15592033	Lens cap	2		
13	00971400	Hex. Nut	2		
14	25842105	Hose	0,260		
15	01178280	Bracket	1		
16	90523044	Squeegee Casting 950mm	1		
17	90546235	Protection cap R.H.	1		
18	905462243	Protection cap L.H.	1		
19	11039328	Hexagon screw	2		

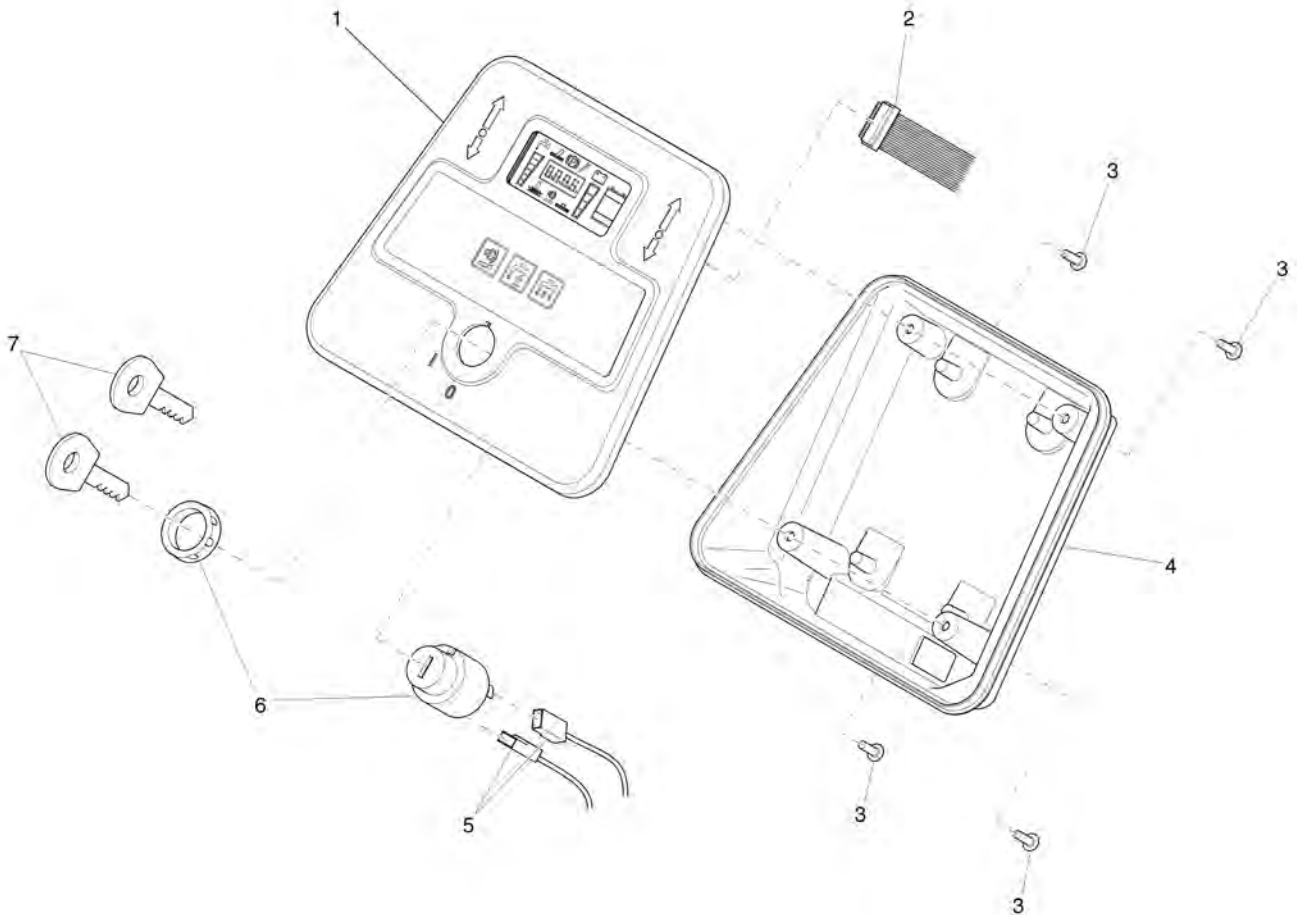
Operation handle (97096523)



**Operation handle (97096523)**

Item	Spare part number	Description	Qty.	Unit	Remarks
1	11177253	Lens flange screw	4		
2	96122286	Handle bar	1		
3	<b>97091839</b>	<b>Console cpl.</b>	<b>Page</b>	<b>79</b>	
4	96117585	Sheet metal	1		
5	11177179	Lens flange screw	4		
6	12310272	Washer	4		
7	11709011	Screw	4		
8	97096069	Bail system	1		
9	12040051	Hex. Nut	2		
10	90516204	Rubber cap	2		

Console cpl. (97091839)

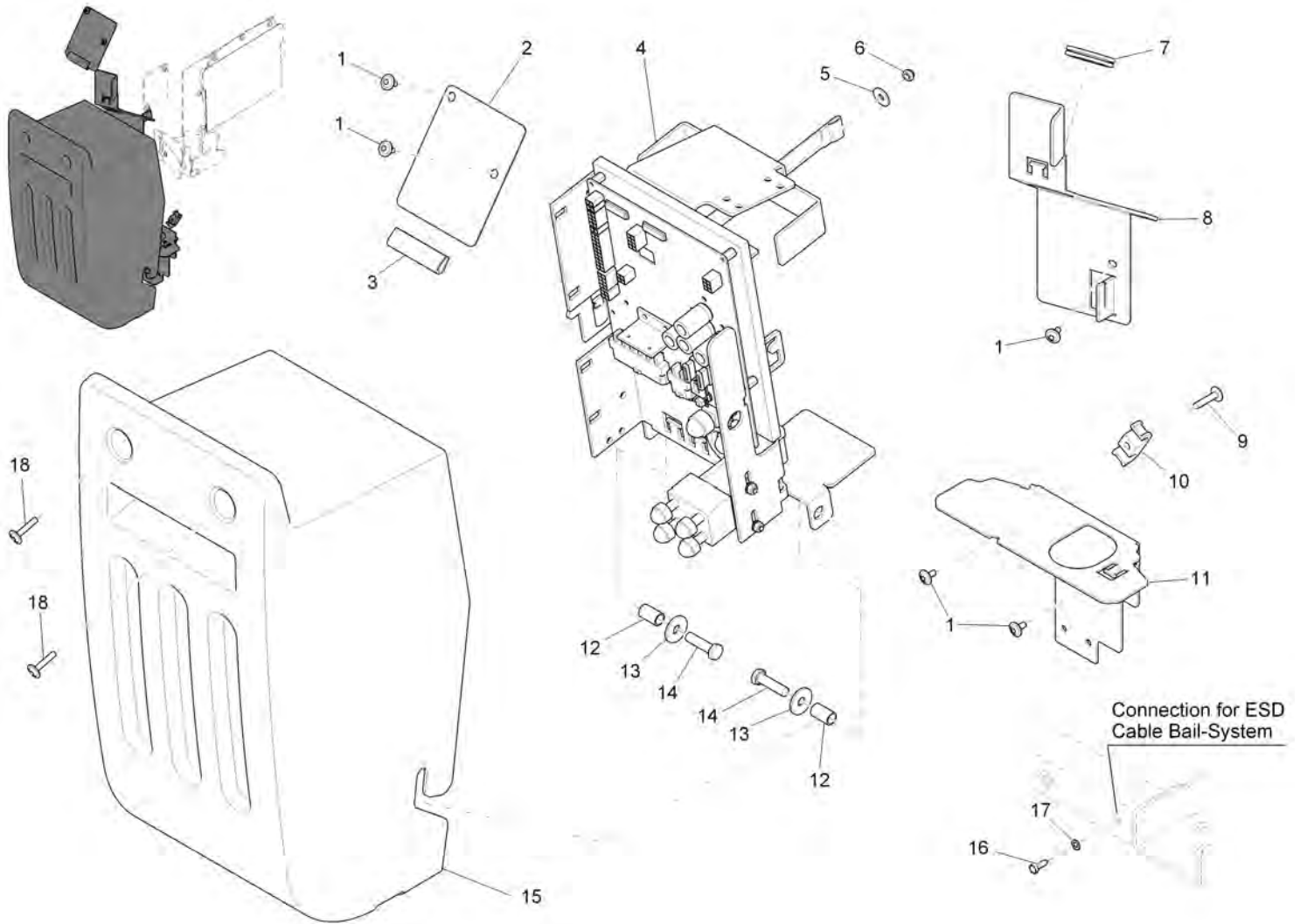


**Console cpl. (97091839)**

<b>Item</b>	<b>Spare part number</b>	<b>Description</b>	<b>Qty.</b>	<b>Unit</b>	<b>Remarks</b>
1	01079090	Console B70/B90	1		
2	90511130	Ribbon cable	1		
3	11702123	Screw	4		
4	01078940	Console	1		
5	90518150	Cable key switch	1		
6	90323437	Key switch	1		
7	00745890	Set (2pc.) key	1		



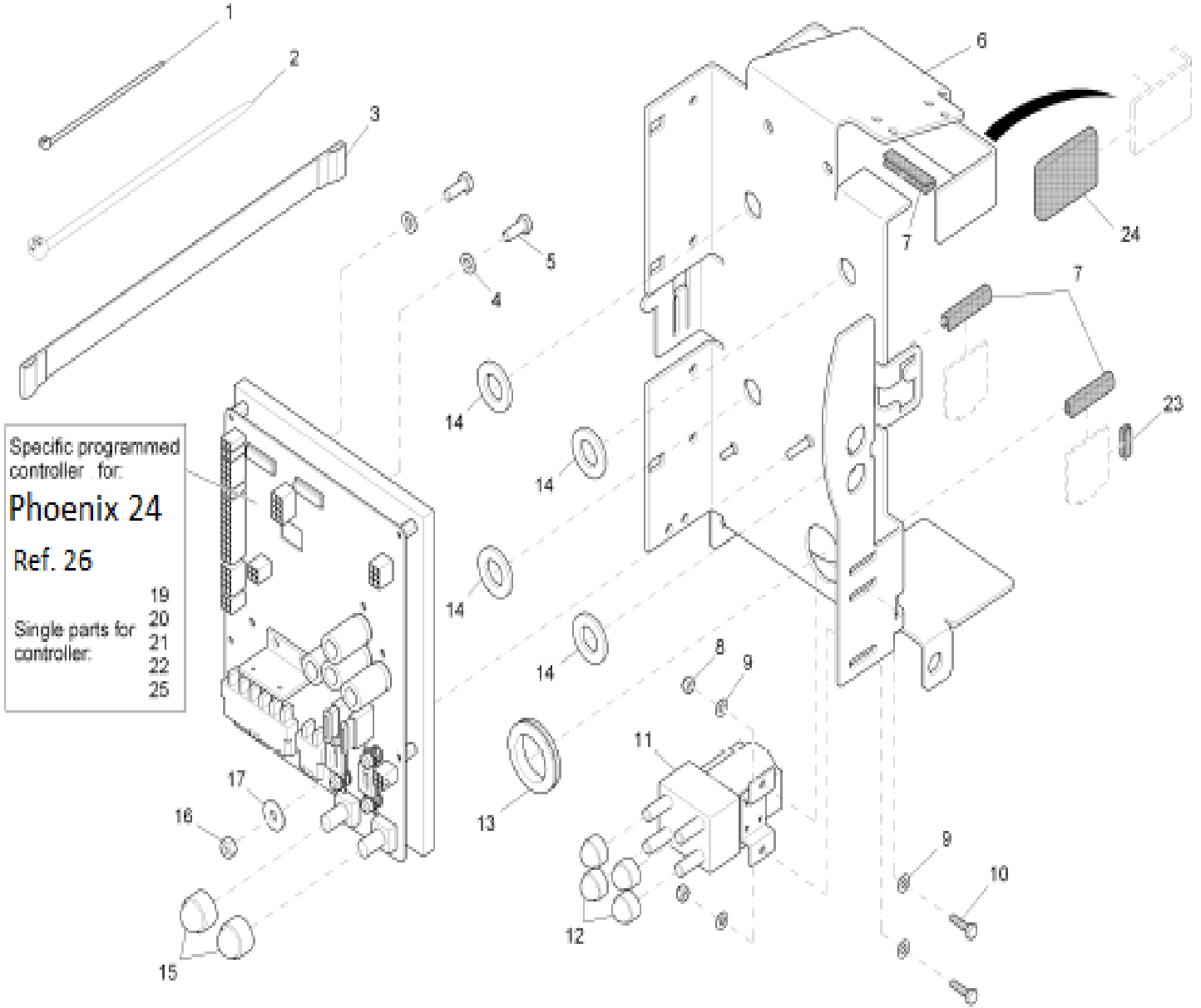
Electric part 1 (97099790-1)



**Electric part 1 (97099790-1)**

Item	Spare part number	Description	Qty.	Unit	Remarks
1	11177179	Lens flange screw	5		
2	90509803	Sheet metal	1		
3	25582024	Edge protection - Sold by meter	10.5		
4	<b>97099006</b>	<b>Retainer cpl.</b>	<b>Page</b>	<b>83</b>	
5	12347027	Washer	1		
6	12040044	Hex. Nut	1		
7	15595259	Bushing	1		
8	90540907	Sheet metal	1		
9	11177161	Lens flange screw	1		
10	17521048	Clamp	1		
11	01078590	Clamping plate	1		
12	90499377	Bushing	2		
13	12332029	Washer	2		
14	11038254	Hexagon screw	2		
15	01078270	Covering	1		
16	01073850	Tapping screw	1		
17	12518080	Lock washer	1		
18	11177261	Lens flange screw	2		

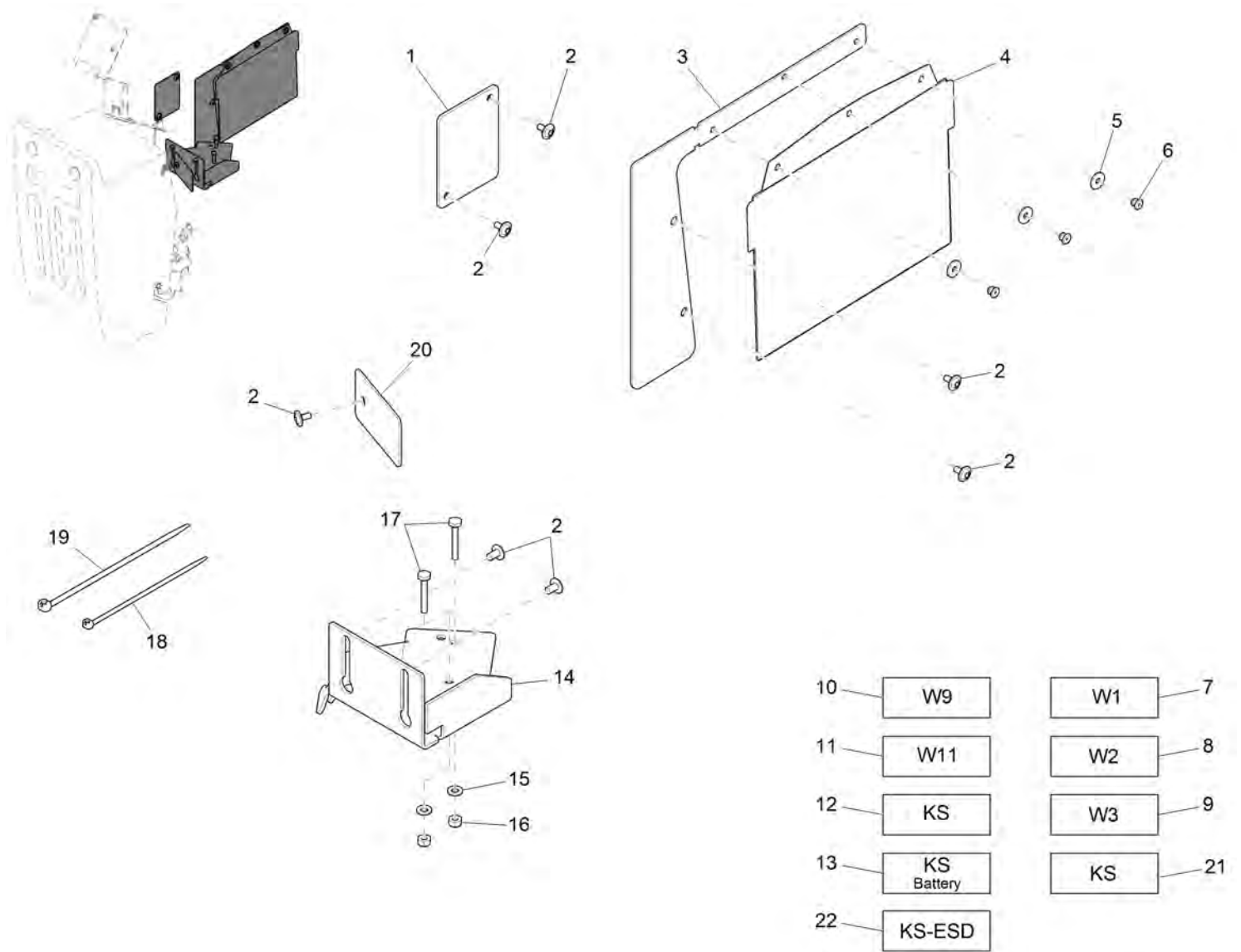
Retainer cpl. (97099006 7061-33)



**Retainer cpl. (97099006 7061-33)**

Item	Spare part number	Description	Qty.	Unit	Remarks
1	361218	Cable tie	4		
2	828062	Cable tie	8		
3	90517699	Webbing	1		
4	12310033	Washer	2		
5	11038072	Hex.bolt	2		
6	96118963	Retainer	1		
7	25583022	Edge protection - Sold by the meter	120mm		
8	12040036	Hex. Nut	2		
9	12310025	Washer	4		
10	11038049	Hex.bolt	2		
11	90331026	Solenoid switch	1		
12	15592033	Lens cap	4		
13	15595259	Bushing	1		
14	90510017	Washer	4		
15	15592041	Lens cap	2		
16	12040044	Hex. Nut	1		
17	12332011	Washer	1		
19	00059580	Fuse 125 Amp 80 Volt			
20	00902440	Fuse 50 Amp 80 Volt			
21	00733630	Fuse 10 Amp			
22	00972430	Fuse link 2 Amp 32 Volt			
23	25583022	Edge protection - Sold by the meter	30mm		
24	01074240	Cap	2		
25	00906120	Fuse			
26	01079140-E24	Controller, Main	1		Programmed specifically for PHX24

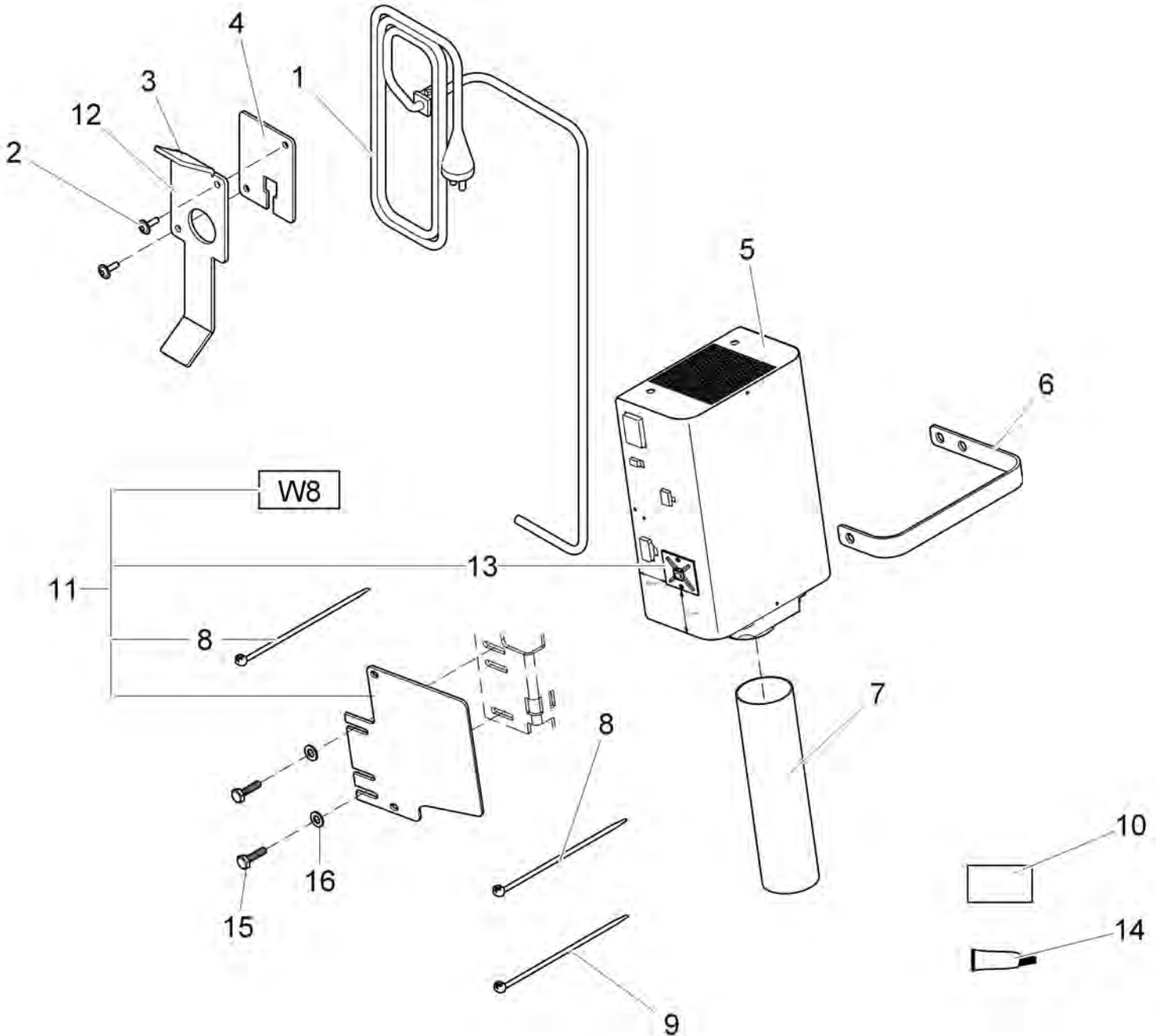
Electrics part 2 (97099790-2)



**Electrics part 2 (97099790-2)**

Item	Spare part number	Description	Qty.	Unit	Remarks
1	90518119	Cover	1		
2	11177179	Lens flange screw	7		
3	90511346	Sheet metal	1		
4	90465774	Bag	1		
5	12332052	Washer	3		
6	13165196	Blind rivet	3		
7	97101344	Wiring harness W1	1		
8	97094254	Wiring harness W2	1		
9	03007800	Wiring harness	1		
10	03007790	Wiring harness	1		
11	97101414	Wiring harness W11	1		
12	97101489	Set of cables	1		
13	97101497	Set of cables battery	1		
14	90512146	Sheet metal	1		
15	12310033	Washer	2		
16	12040044	Hex. Nut	2		
17	00535110	Hex.bolt	2		
18	828062	Cable tie	12		
19	361218	Cable tie	18		
20	90511320	Sheet metal	1		
21	03007780	Cable loom	1		
22	---	Spare part on request	1		97125231 Cable loom ESD

**Battery charger 24V 22A (97099436)**

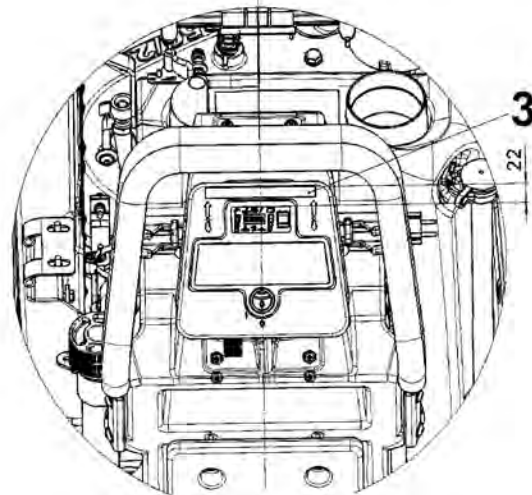
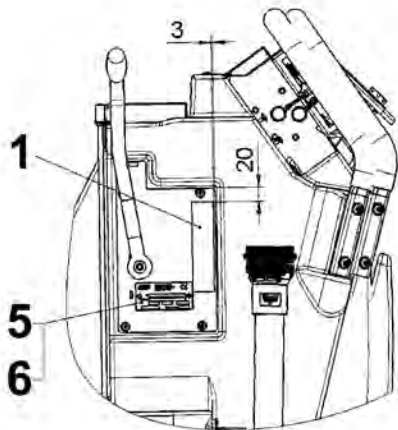
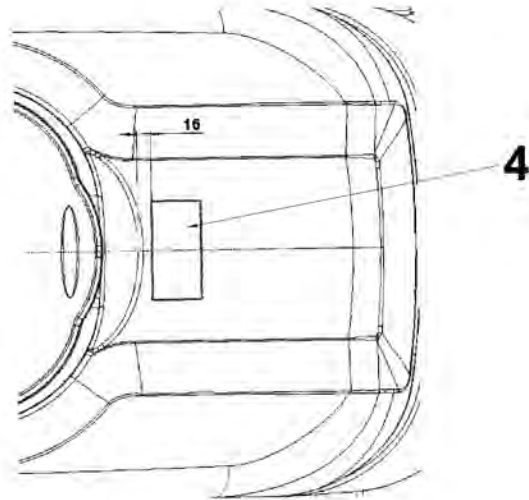
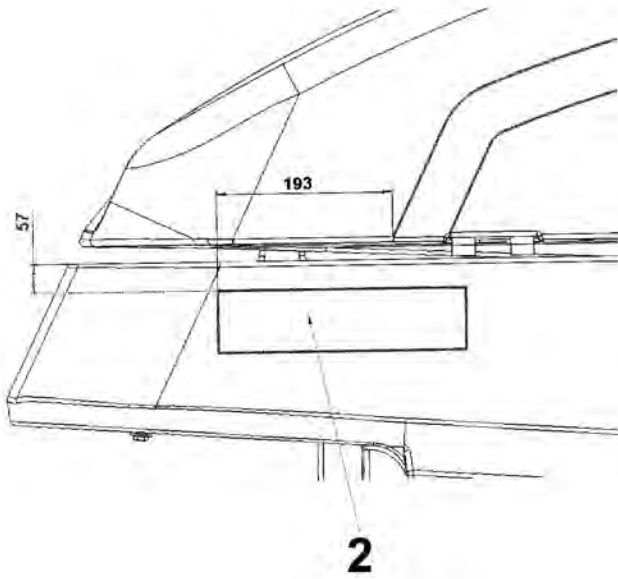


**Battery charger 24V 22A (97099436)**

Item	Spare part number	Description	Qty.	Unit	Remarks
1	90532987	Power cable	1		
2	11177060	Lens flange screw	2		
3	90463746	Cap	2		To stick on pos.12 with Loctite!
4	90533266	Cover	1		
5	97059398K	On-board charger 24V 22A	1		
6	90517665	Tension band	1		
7	90512575	Hose	3		
8	828062	Cable tie	8		
9	361218	Cable tie	1		
10	97101372	Wire harness W6	1		
11	K-E24261668	Retool kit for BATTERY CHARGER 30A	1		Charger is not included
12	01079390	Cable retainer	1		
13	17526120	Attachment base	1		
14	28030104	Grease	1		
15	11038049	Hex.bolt	1		
16	12310025	Washer	1		
W8	97095111	Wiring harness W8	1		



Labels (97099881)



**Labels (97099881)**

Item	Part number	Description	Qty.	Unit	Remarks
1	01170740	Decal	1		
2	03008660	Decal PHOENIX 26	2		
3	03008500	Decal PHOENIX SERIES	1		
4	03008510	Decal POWER BOSS	1		
5	03008410	Type plate POWERBOSS	1		
6	00504370	Blind rivet	2		

**Warranty Information**

Revision F  
Effective November 1, 2008  
PowerBoss Made Simple Industrial Limited Warranty

Minuteman International owner of PowerBoss warrants to the original purchaser/user that the product is free from defects in workmanship and materials under normal use. PowerBoss will, at its option, repair or replace without charge, parts that fail under normal use and service when operated and maintained in accordance with the applicable operation and instruction manuals. All warranty claims must be submitted through and approved by factory authorized repair stations.

This warranty does not apply to normal wear, or to items whose life is dependent on their use and care. Parts not manufactured by PowerBoss are covered by and subject to the warranties and/or guarantees of their manufacturers. Please contact Minuteman International for procedures in warranty claims against these manufacturers.

**Special warning to purchaser** -- Use of replacement parts not manufactured by PowerBoss or its designated licensees, will void all warranties expressed or implied. A potential health hazard exists without original equipment replacement.

All warranted items become the sole property of Minuteman International or PowerBoss or its original manufacturer, whichever the case may be.

PowerBoss disclaims any implied warranty, including the warranty of merchantability and the warranty of fitness for a particular purpose. PowerBoss assumes no responsibility for any special, incidental or consequential damages.

This limited warranty is applicable only in the U.S.A. and Canada, and is extended only to the original user/purchaser of this product. Customers outside the U.S.A. and Canada should contact their local distributor for export warranty policies. PowerBoss is not responsible for costs or repairs performed by persons other than those specifically authorized by PowerBoss. This warranty does not apply to damage from transportation, alterations by unauthorized persons, misuse or abuse of the equipment, use of non-compatible chemicals, or damage to property, or loss of income due to malfunctions of the product. If a difficulty develops with this machine, you should contact the dealer from whom it was purchased.

This warranty gives you specific legal rights, and you may have other rights, which vary from state to state. Some states do not allow the exclusion or limitation of special, incidental or consequential damages, or limitations on how long an implied warranty lasts, so the above exclusions and limitations may not apply to you.

	Travel*	Labor	Parts	Engine	Extended Warranty	Costs
<b>Walk behinds</b>						
Battery sweepers	Ninety days	One year	One year	N/A	2 years Parts + Labor (or 2000 Hours)	2%
IC sweepers	Ninety days	One year	One year	Through manufacturer	2 years Parts + Labor (or 2000 Hours)	2%
Battery scrubbers	Ninety days	Two years	Three years	N/A	3 Years Parts + Labor (or 3000 Hours)	2%
<b>Riders</b>						
Battery scrubbers	Ninety days	Two years	Three years/2000 hrs	N/A	3 Years Parts + Labor (or 3000 Hours)	2%
IC sweeper/scrubbers	Ninety days	Six months	Two years/2000 hrs	Two years/3000 hrs**	2 years Parts + Labor (or 2000 Hours)	3%
IC sweepers	Ninety days	Six months	Four years/3000 hrs	Five years/3000 hrs**	4 Years Parts + 2 Years Labor (or 4000 Hours)	3%
<b>Exceptions</b>						
Apex series sweeper	Ninety days	One year	One year/1000 hrs	One year/1000 hrs**	2 years Parts + Labor (or 2000 Hours)	3%
6X sweeper	Ninety days	Six months	Two years/2000 hrs	Two years/2000 hours**	2 years Parts + Labor (or 2000 Hours)	3%

**Tank Bladders** Eight years/ no additional labor  
**Polypropylene plastic tanks** Ten years/ no additional labor  
**Batteries** 0-3 months full replacement, 4-12 prorated credit  
**Chargers** One-year replacement  
**Replacement parts** Ninety days

\*Two-hour cap

\*\*Through engine manufacturer. See section 3 of warranty manual for engine warranty exceptions

\*\*\* Based upon dealer's certification status

Extended Warranty MUST be signed up within 30 days of delivery to End User (Dealer has 1Year from Receiving Machine to Sign up extended Warranty)

Extended Warranty Cost is based on Invoice Price multiplied by the Percentage listed in the Extended Warranty Column

*All above labor and travel reimbursed at 65 or 75% of the published shop rate.*





**PowerBoss<sup>®</sup>**  
The Power of Clean

***“The Power of Clean”***

**PowerBoss Is A Full Line Manufacturer Of Sweepers and Scrubbers For  
Industrial Facilities.**

PowerBoss, Inc. 175 Anderson Street P.O. Box 1227- Aberdeen North Carolina 28315

Phone: 800-982-7141 - Fax: 1-800-277-7141 Local: 910-944-2105 Fax: 910-944-7409 e-mail: [techsupport@powerboss.com](mailto:techsupport@powerboss.com)

**A Member Of The Hako Group**